



Model : 07/2019



BOMBARDIER CL-415 MP

1800mm PART 3

Specs :

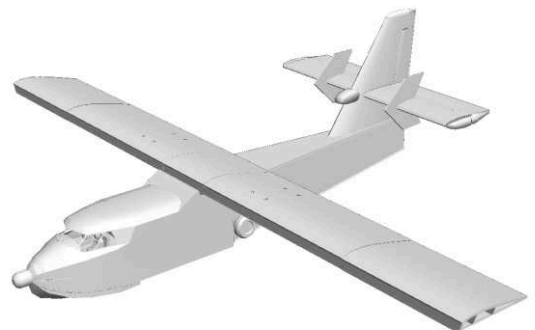
1. Wingspan 180 cm / 70.9 inches
2. Flying weight :
3. Wing loading :
4. Wing cube loading :
5. Wing Area : 36 dm²

Electronics

- 2X Turnigy 2830 1000kv motor
- 2X ESC 40A
- 1X / 2X Battery Lipo 3S 2200mah / Li-ion 3S 3300 mah / Lipo 3S 5200mah
- 7 X 9 gram servos
- Propeller : 8x6x4

Materials :

1. 5mm Depron/ Polyfoam
2. 3mm Plywood
3. 2.5 mm bicycle wheel spokes
4. 0.3 mm mica plastic
5. 2 pcs ice cream sticks
6. White packing tape
7. Eva foam
8. 62 mm wheels
9. 40 mm wheels
10. Oracal stickers



Build Instructions :

1. paper-replika.com
2. youtube channel : Julius Perdana

W2A

WING
POLYFOAM/
DEPRON 5MM

W4

WING
POLYFOAM/
DEPRON 5MM

W5

WING
POLYFOAM/
DEPRON 5MM

W1

WING
POLYFOAM/
DEPRON 5MM

W2B

WING
POLYFOAM/
DEPRON 5MM

W3

WING AIRFOIL
POLYFOAM/
DEPRON 5MM
6X



W6

WING
POLYFOAM/
DEPRON 5MM
2X MIRRORED

JOIN HERE

W6

JOIN HERE

JOIN HERE

W15

WING
POLYFOAM/ DEPRON 5MM
2X

JOIN HERE

W6

JOIN HERE

JOIN HERE

JOIN HERE

JOIN HERE

W13
SPAR
POLYFOAM/
DEPRON 5MM
2X

W14
SPAR
POLYFOAM/
DEPRON 5MM
2X

W9
SPAR
POLYFOAM/
DEPRON 5MM
2X

W8
SPAR
POLYFOAM/
DEPRON 5MM
2X

W10
SPAR
POLYFOAM/
DEPRON 5MM
2X

W10

JOIN HERE

W8

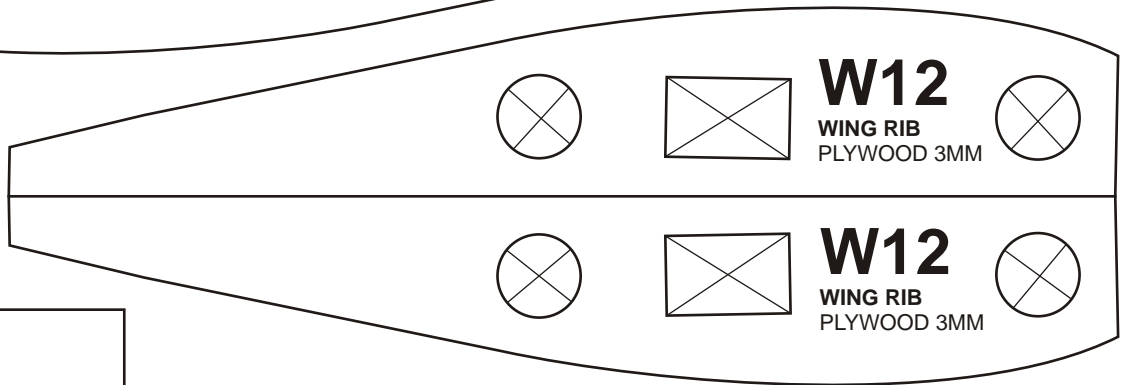
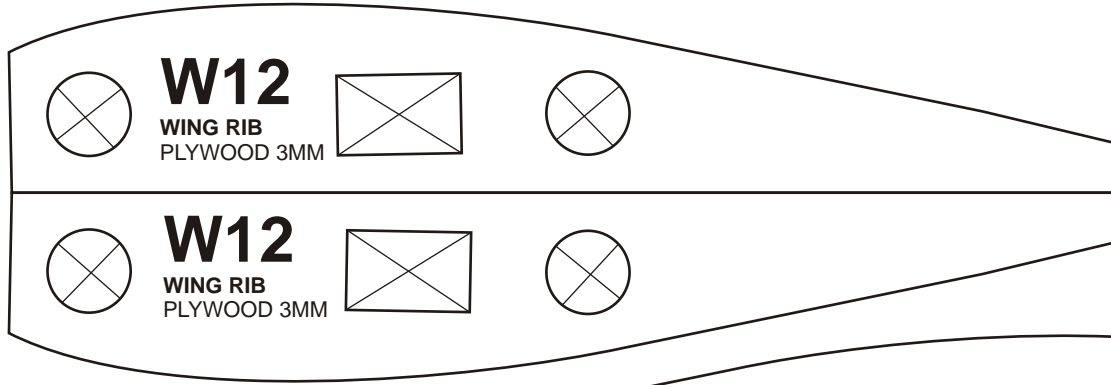
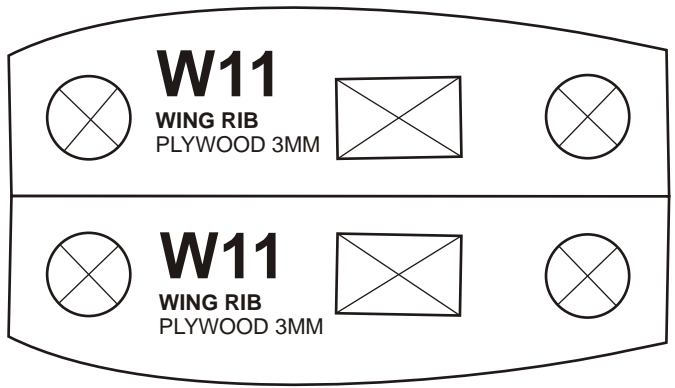
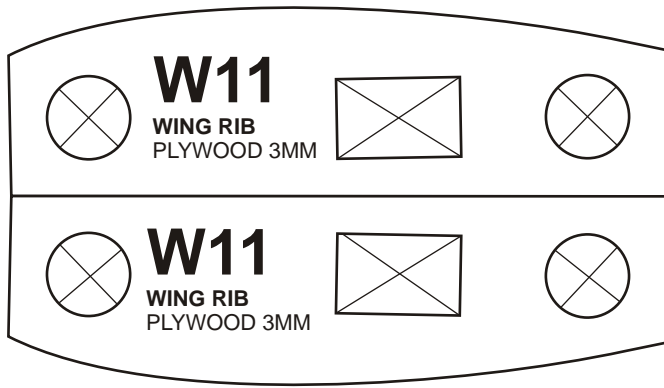
JOIN HERE

W9

JOIN HERE

W13

JOIN HERE



W16 WING PLYWOOD 3MM
W16
W16
W16



FRONT



W17

WING
POLYFOAM/
DEPRON 5MM



JOIN HERE

JOIN HERE

W17

JOIN HERE

IN HERE

W17

W18

WING
POLYFOAM/
DEPRON 5MM

JOIN HERE

W21

WING SPAR
POLYFOAM/
DEPRON 5MM 2X

JOIN HERE

W19

WING SPAR
POLYFOAM/
DEPRON 5MM 2X

JOIN HERE

JOIN HERE

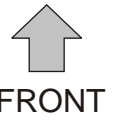
W18

JOIN HERE

W21

JOIN HERE

W19



JOIN HERE

W19

WING SPAR
POLYFOAM/
DEPRON 5MM
2x

W20

WING SPAR
POLYFOAM/
DEPRON 5MM
2x

W22

WING
POLYFOAM/
DEPRON 5MM
2x

JOIN HERE

W22

