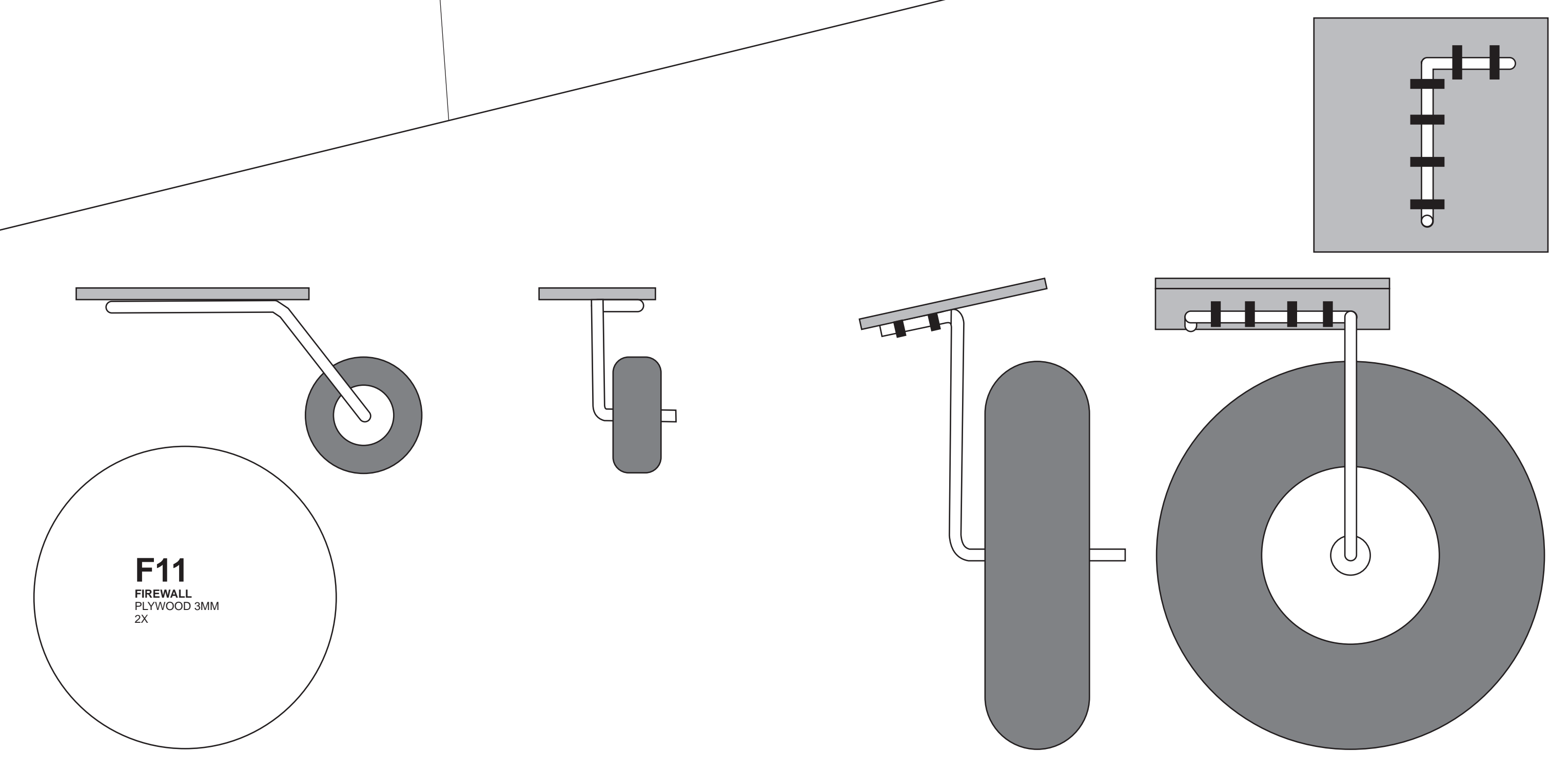
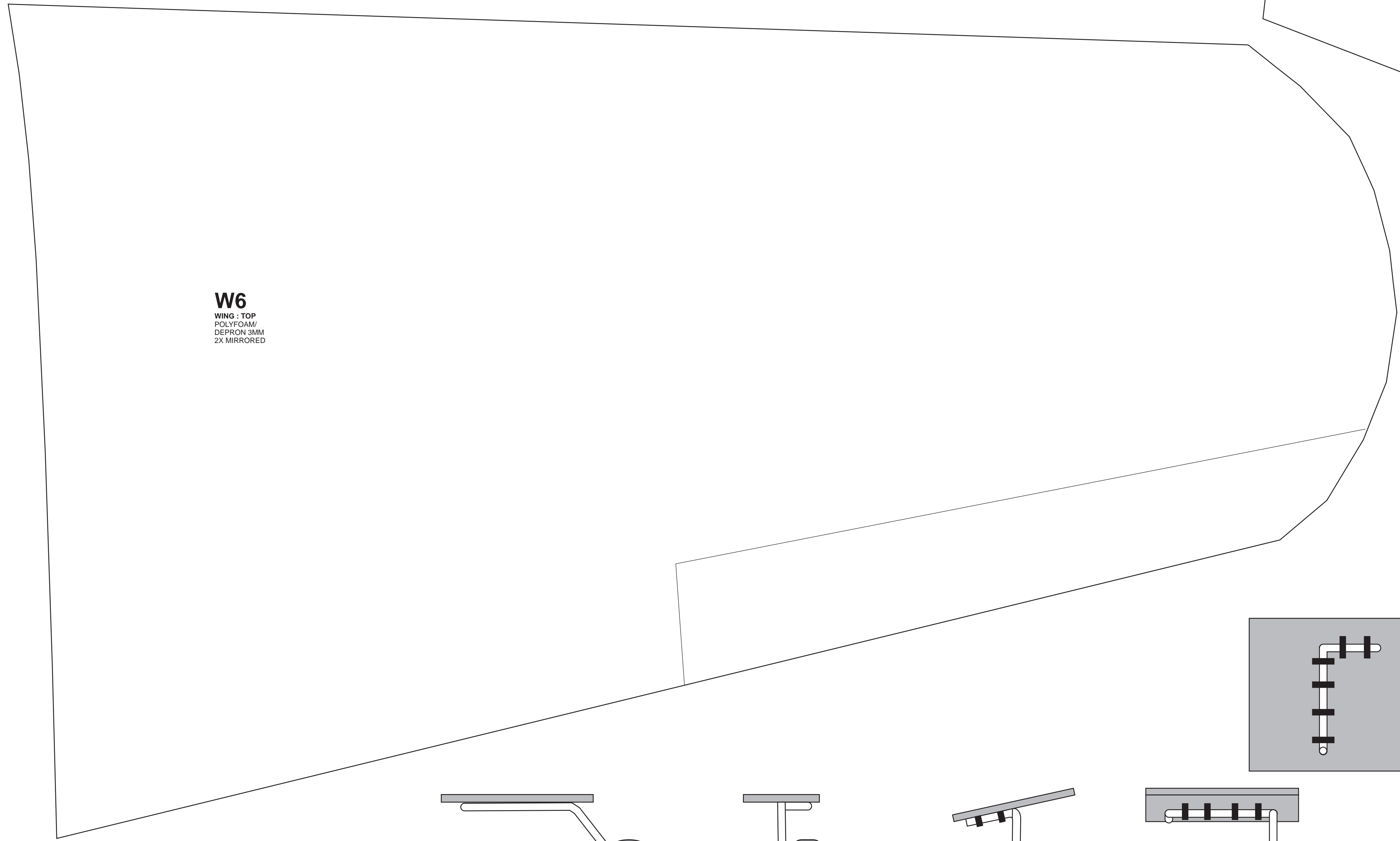
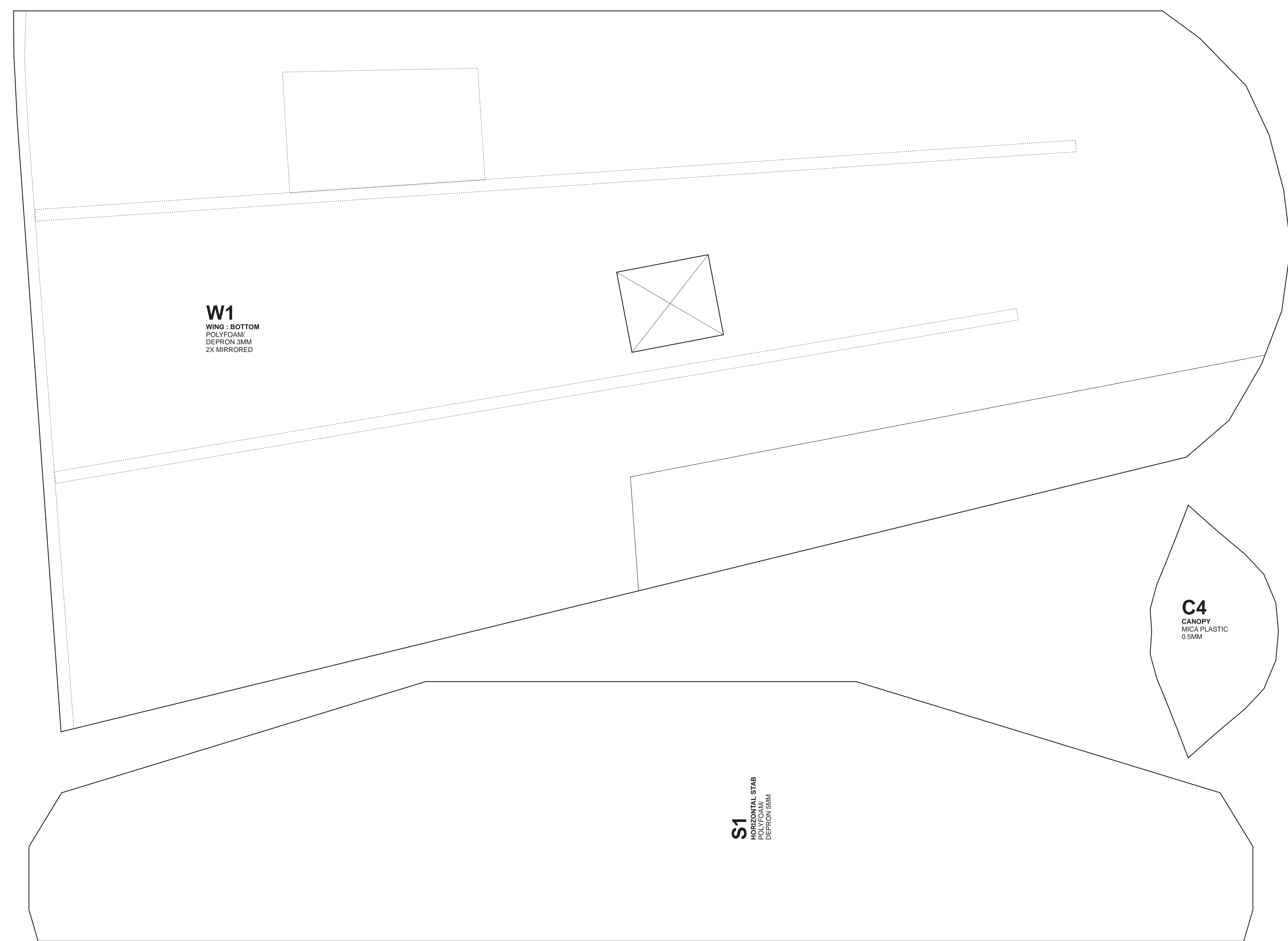
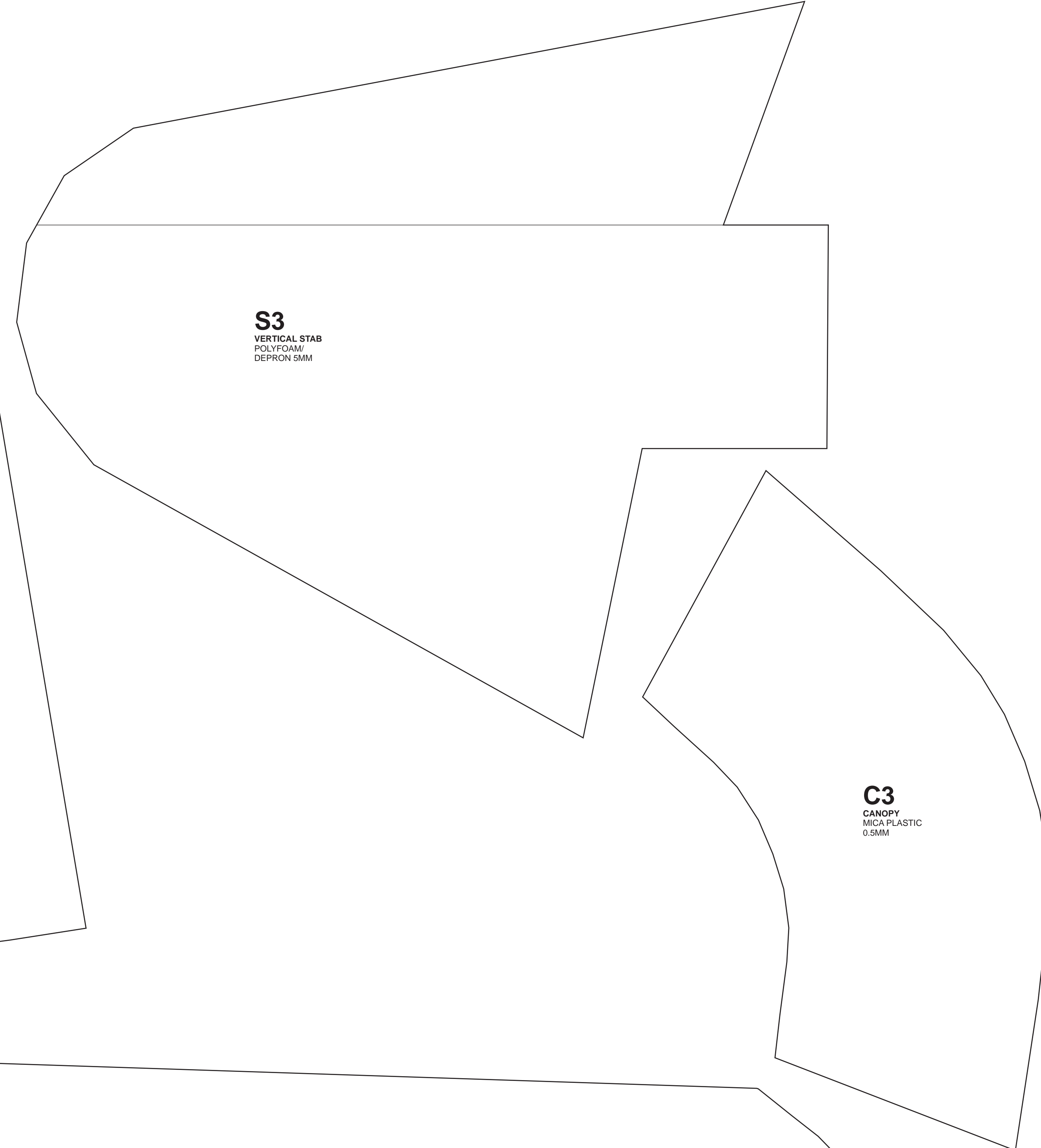
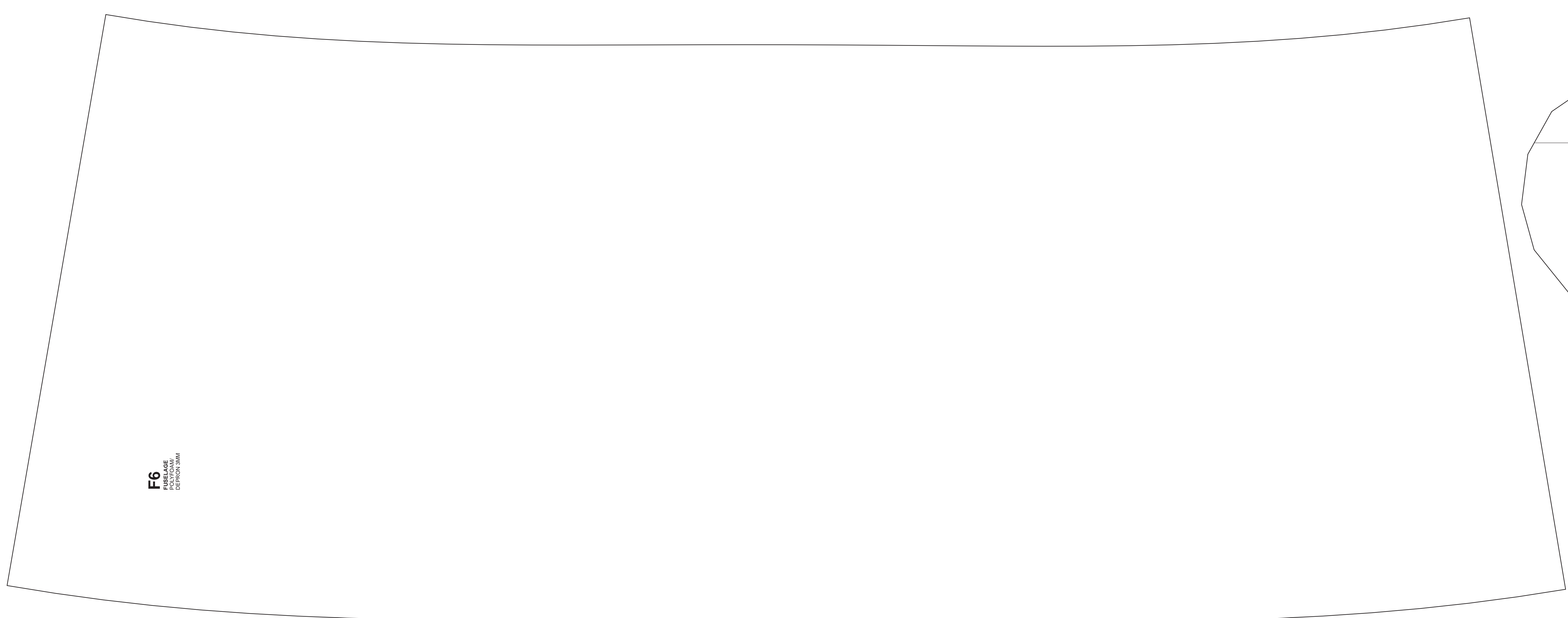


Model : 36/2022

Cartoon A6M Zero

1000mm

- Specs :**
- 1. Wingspan : 1000 mm / 39.4 inches
 - 2. Flying weight : 1005 grams / 2.2 lbs / 35.4 oz
 - 3. Wing loading : 38.3 gram/cm² - 12.6 oz/sq.ft.
 - 4. Wing area loading : 7.5
 - 5. Wing Area : 26.22 dm² / 406 sq.in.
 - 6. CG : 7.75 cm / 3 inch from L.E. (leading edge on root chord)
- Materials :**
- 1. 5mm + 3mm Foamboard/ Depron/ Polyfoam
 - 2. 3mm Plywood
 - 3. Hot glue, UHU glue, CA glue
 - 4. white packing tapes
- Electronics (Pusher)**
- DYN 2536 120kv
 - 40A ESC
 - Battery Lipo 3S 2200mah
 - 4 x 9 gram servo (micro servo)
 - 11x6x3 propeller (3 blades) or 12x6 propeller (2 blades)
 - 30mm, 2 x 100mm foam wheels
- Build Instructions :**
- 1. paper-replika.com
 - 2. youtube channel : Julius Perdana



S1
HORIZONTAL STAB
POLYFOAM
DEPRON 3MM