



Model : 12/2020



SKY ARROW

1700mm

Specs :

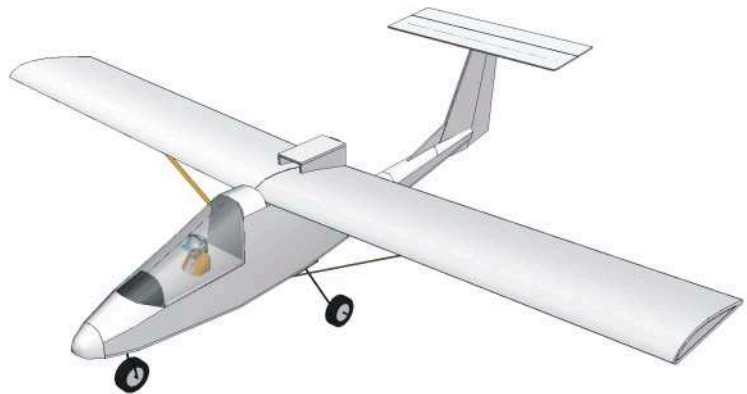
1. Wingspan 1700mm / 67 inches
2. Flying weight : 1050 grams/ 37 oz
3. Wing loading : 27.4 g/dm² - 9 oz/sq.ft
4. Wing cube loading : 4.4
5. Wing Area : 38.3 dm² / 594 sq.in
6. CG : 5.75 cm from LE

Electronics

- Turnigy 2830 1000kv brushless motor
- ESC 40A
- Battery Lipo 3S 2200mah - Li-ion 3S 3300 mah
- 4 plastic gear 9 gram servos
- Propeller : 9x5x3

Materials :

1. 5mm & 10mm Depron/ Polyfoam
2. 3mm Plywood
4. 0.3mm Mica Plastic
5. hot glue + CA glue
6. white packing tape



Build Instructions :

1. paper-replika.com
2. youtube channel : Julius Perdana

W1

UPPER WING PART
POLYFOAM/ DEPRON 5MM
2X MIRRORED

JOIN HERE

 WINGTIP

FRONT


W1

JOIN HERE

JOIN HERE

JOIN HERE

W1

JOIN HERE

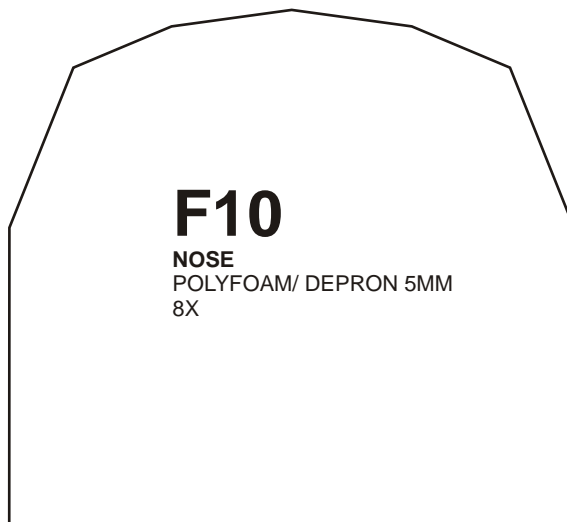
JOIN HERE

W1

JOIN HERE

HERE

W1





FRONT

W2

LOWER WING PART
POLYFOAM/ DEPRON 5MM
2X MIRRORED



WINGTIP

JOIN HERE

W4

WING SPAR
POLYFOAM/ DEPRON 5MM
2X MIRRORED

JOIN HERE

JOIN HERE

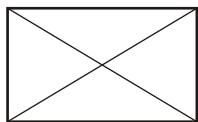
W2

JOIN HERE

JOIN HERE

W4

JOIN HE



W2

JOIN HERE

JOIN HERE

W4

JOIN HERE

JOIN HERE

JOIN HERE

W2

JOIN HERE

JOIN HERE

W4

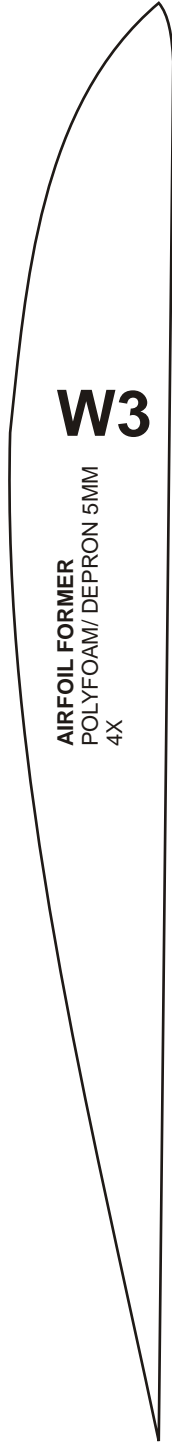
JOIN HERE

JOIN HERE

W2

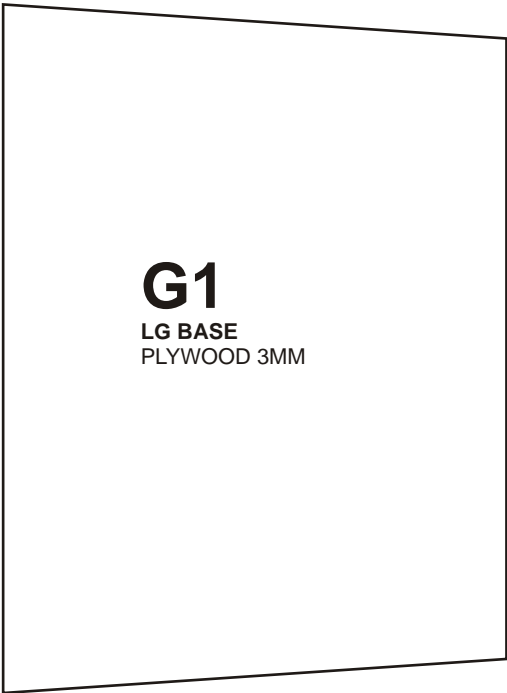
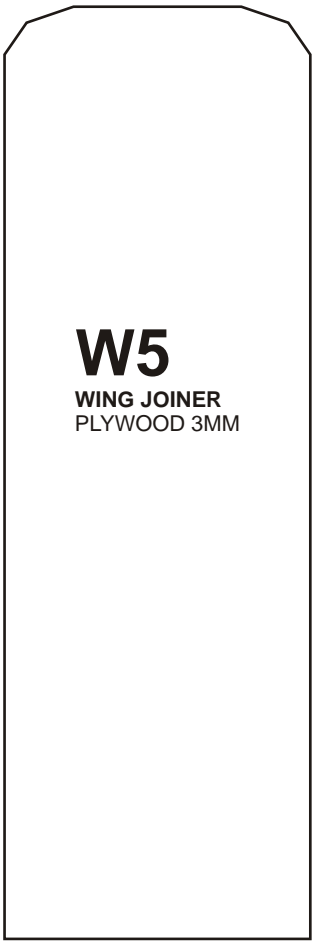
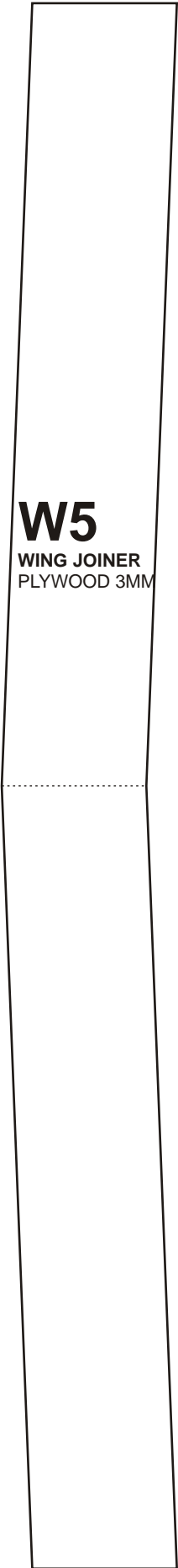
JOIN HERE

W4



W3

AIRFOIL FORMER
POLYFOAM/DEPRON 5MM
4X

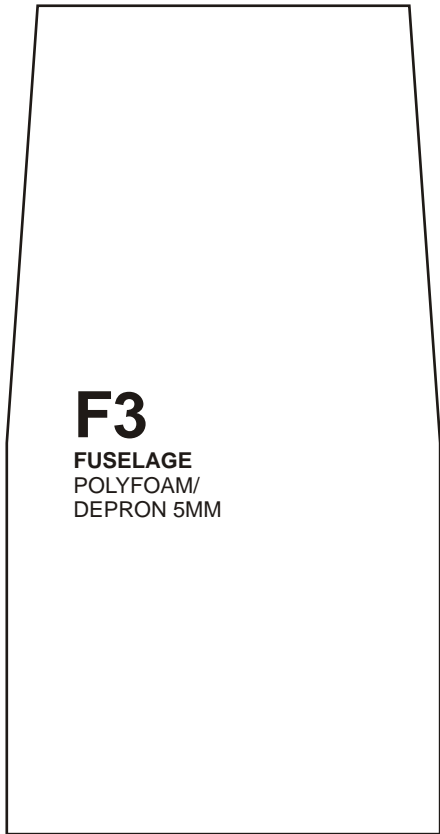


JOIN HERE

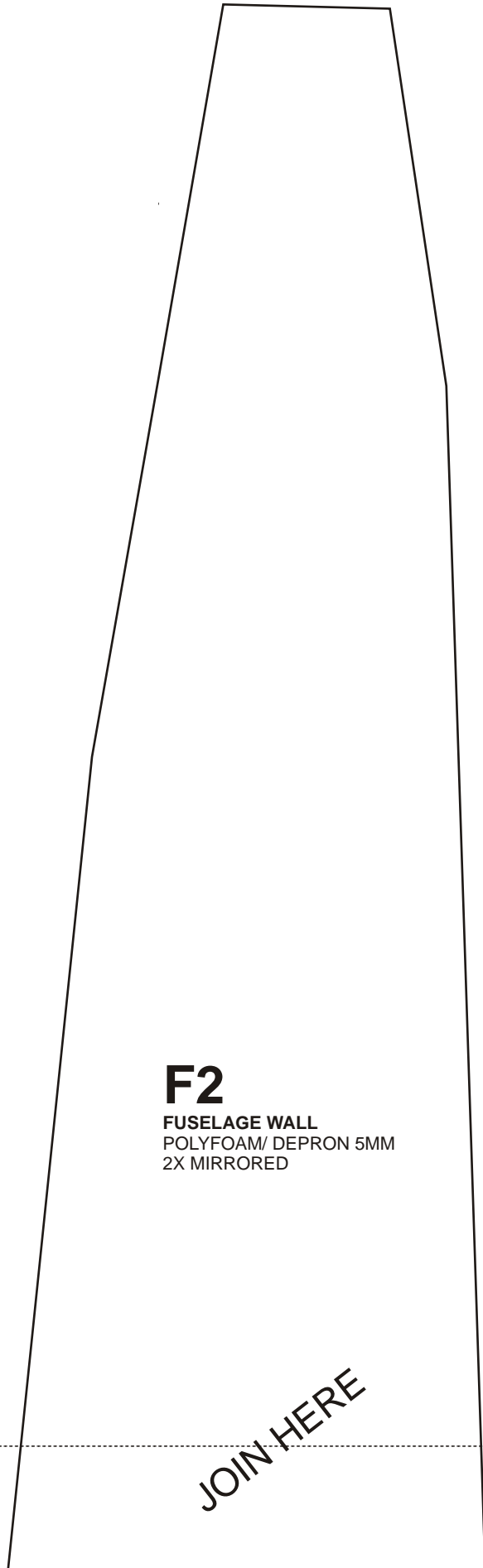
T1

T1
AILERON GUIDE
TRACE WITH PEN

JOIN HERE



F3
FUSELAGE
POLYFOAM/
DEPRON 5MM



F2
FUSELAGE WALL
POLYFOAM/ DEPRON 5MM
2X MIRRORED

JOIN HERE

JOIN HERE

F2

JOIN HERE

JOIN HERE

F2

F9

NOSE
POLYFOAM/
DEPRON 5MM

F1
FUSELAGE
POLYFOAM/
DEPRON 5MM

JOIN HERE

JOIN HERE

F1

JOIN HERE

JOIN HERE

F1

F4

FUSELAGE
POLYFOAM/
DEPRON 5MM

F5

TAIL BOOM
POLYFOAM/
DEPRON 5MM
2X MIRRORED

JOIN HERE

F6

TAIL BOOM
POLYFOAM/
DEPRON 5MM

JOIN HERE

F7B

TAIL BOOM
POLYFOAM/
DEPRON 5MM
2X MIRRORED

JOIN HERE

F8B

TAIL BOOM
POLYFOAM/
DEPRON 5MM

JOIN HERE

JOIN HERE

F5

JOIN HERE

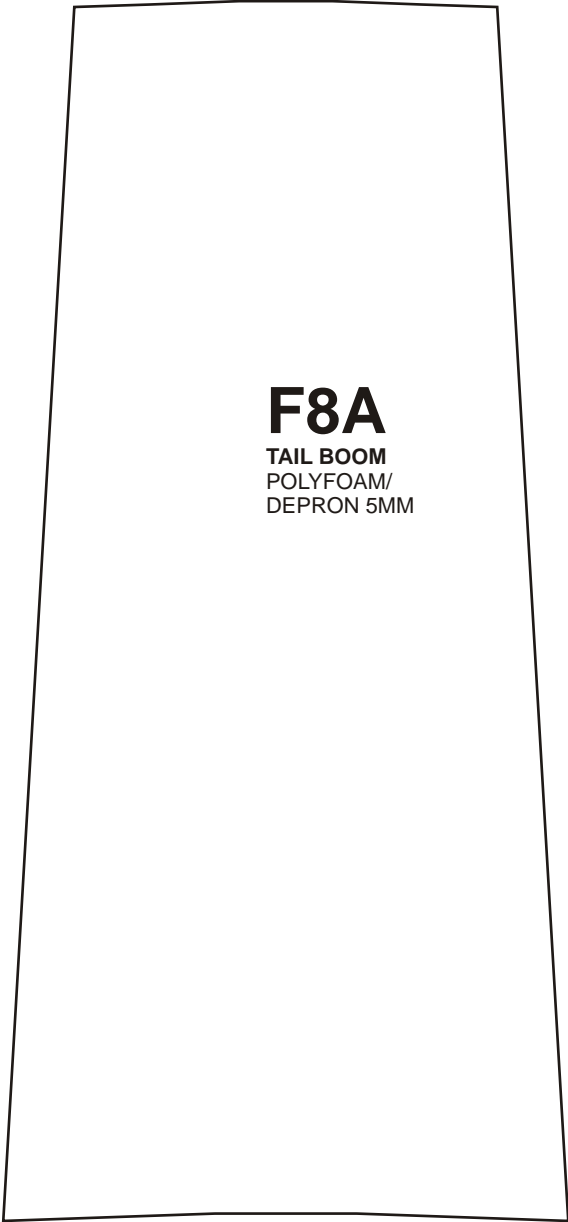
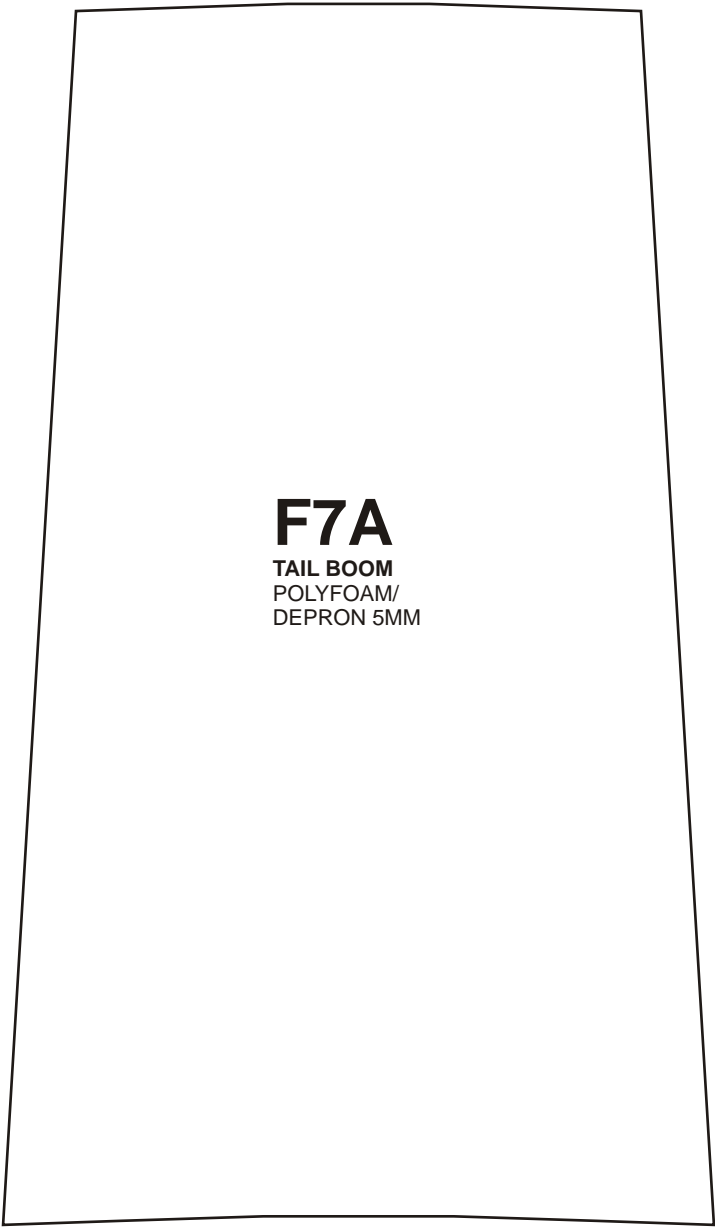
F6

JOIN HERE

F7B

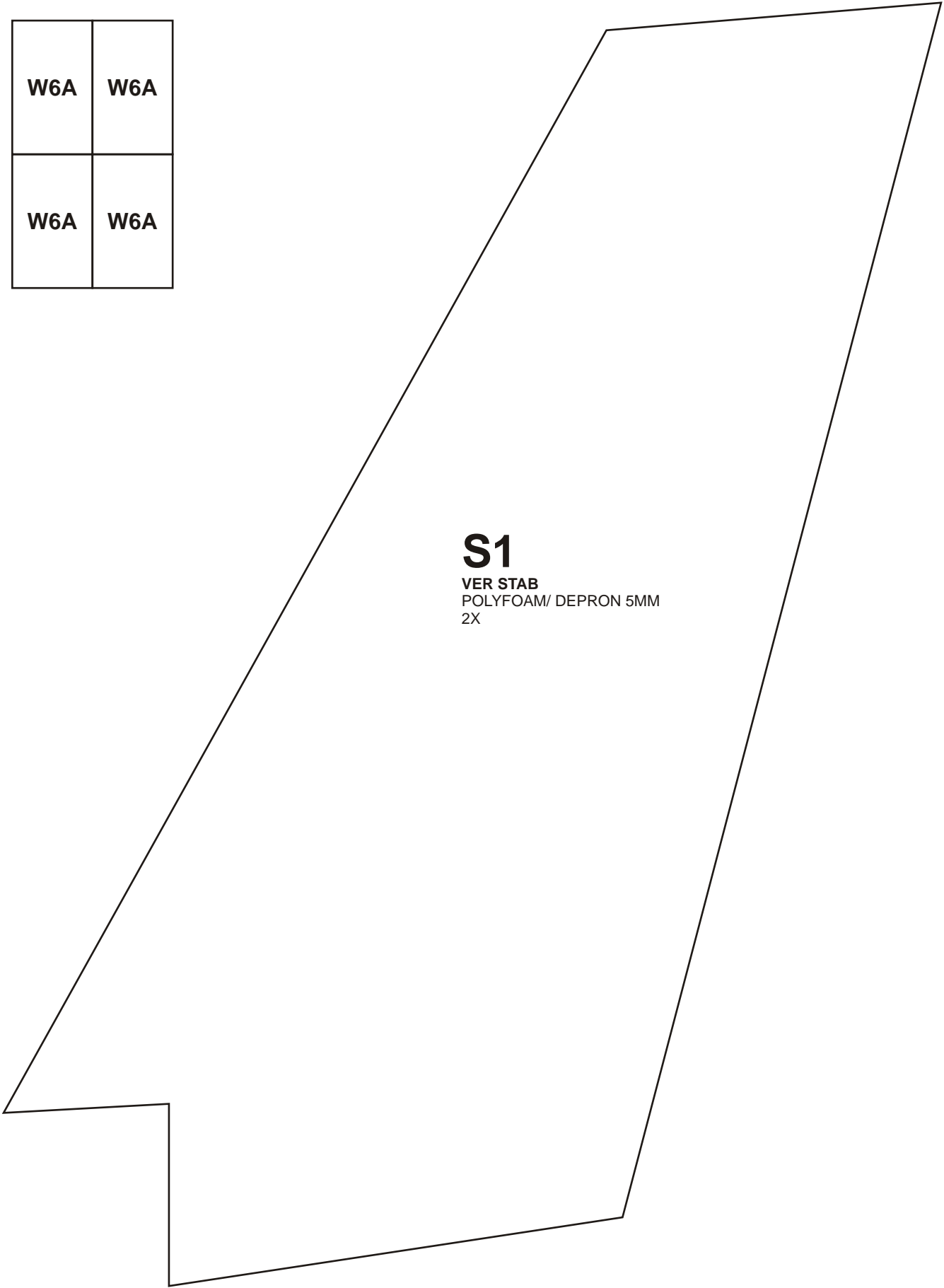
JOIN HERE

F8B



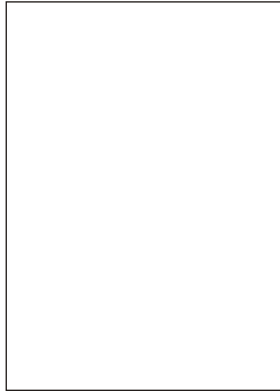
W6A	W6A
W6A	W6A

S1
VER STAB
POLYFOAM/ DEPRON 5MM
2X



W7

ENGINE COWL
POLYFOAM/
DEPRON 5MM



W6

ENGINE COWL
POLYFOAM/ DEPRON 5MM
2X MIRRORED

C2

INSTRUMENT PANEL
EVA FOAM 3MM

VER STAB
POLYFOAM/ DEPRON 5MM

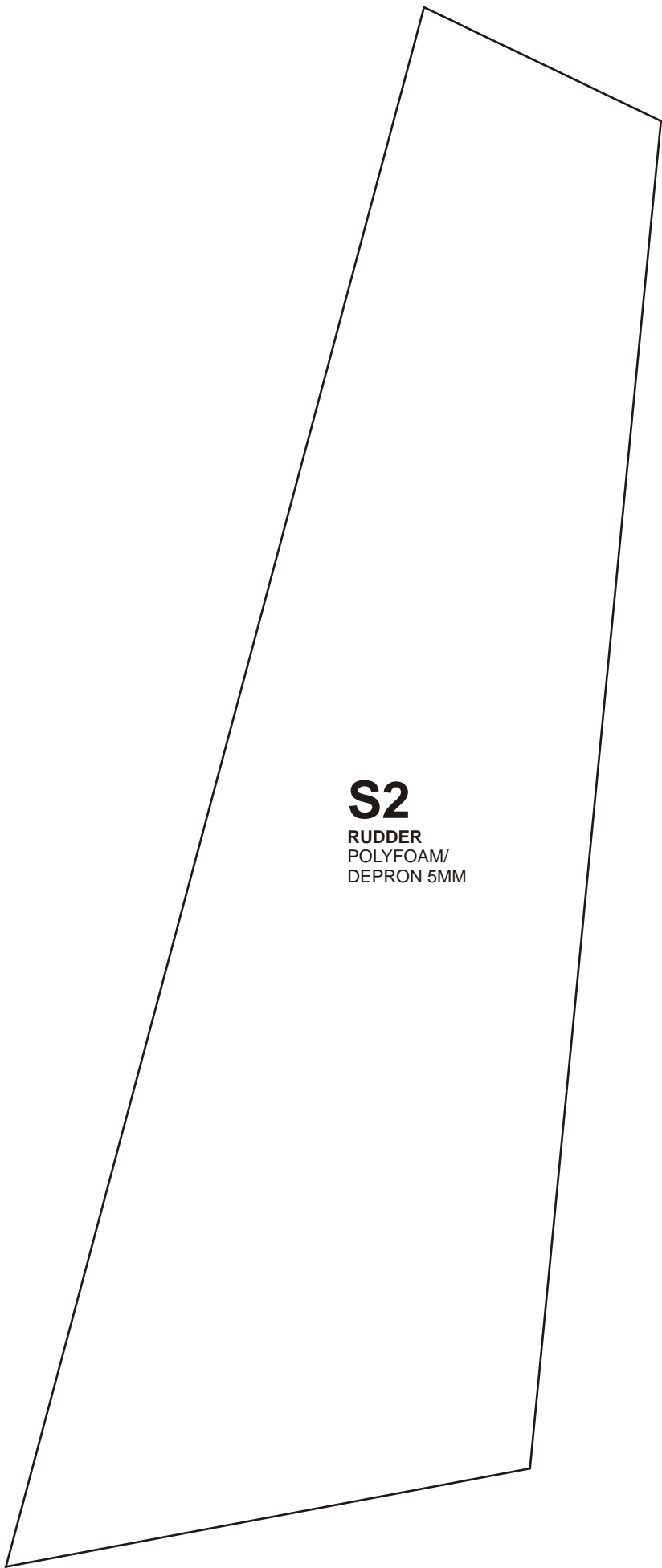
S7

JOIN HERE

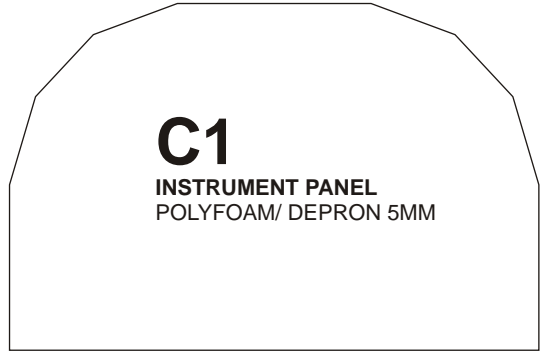
W8

W8

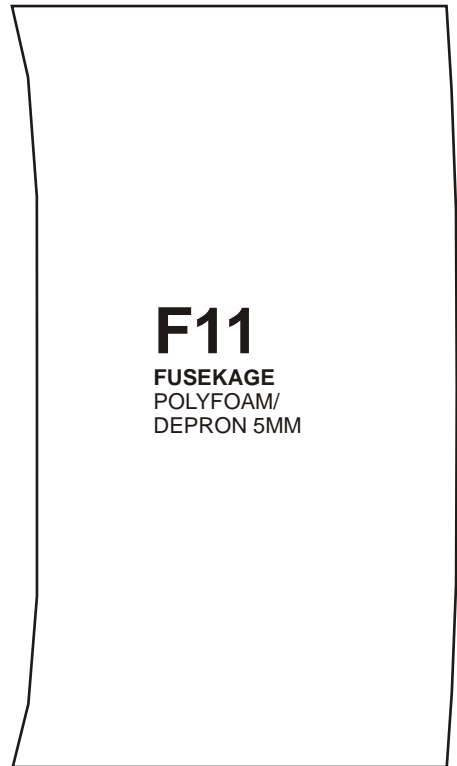
JOIN HERE



S2
RUDDER
POLYFOAM/
DEPRON 5MM



C1
INSTRUMENT PANEL
POLYFOAM/ DEPRON 5MM



F11
FUSELAGE
POLYFOAM/
DEPRON 5MM

S4

ELEVATOR
POLYFOAM/
DEPRON 5MM

JOIN HERE

S3

HOR-STAB
POLYFOAM/
DEPRON 5MM

JOIN HERE

JOIN HERE

S4

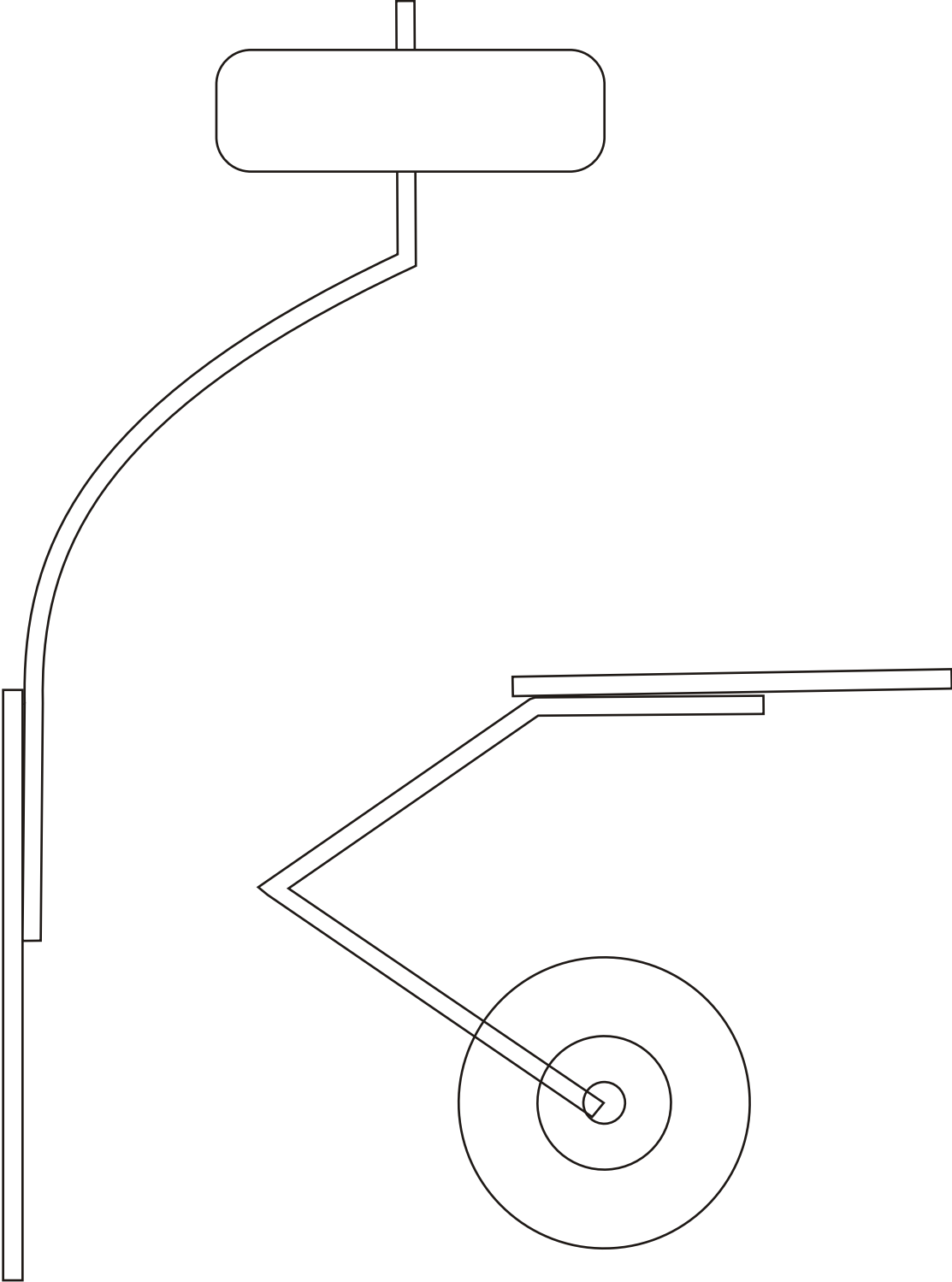
JOIN HERE

S3

S6

VER STAB
POLYFOAM/ DEPRON 5MM

LANDING GEAR



PILOT

