

Model : 05/2019

**CESSNA 172**  
1200mm

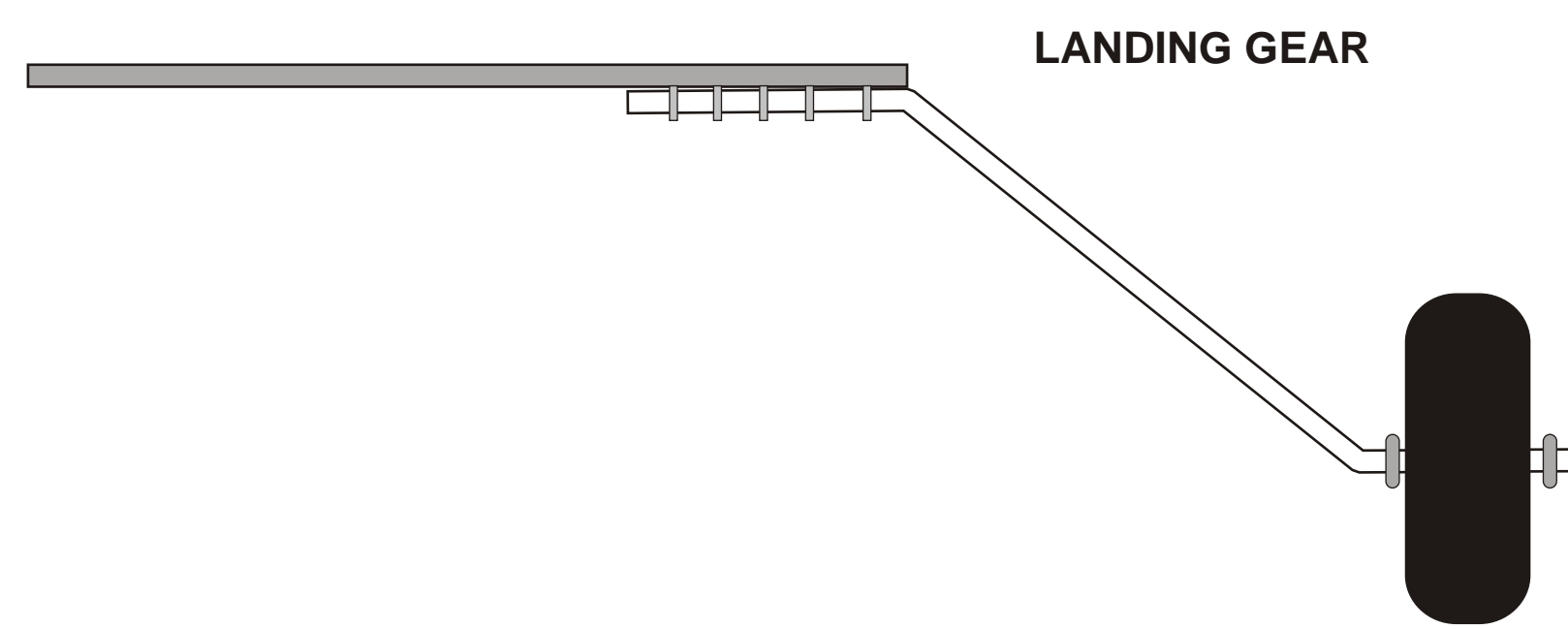
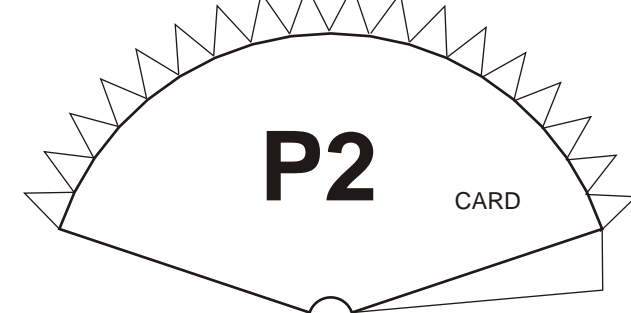
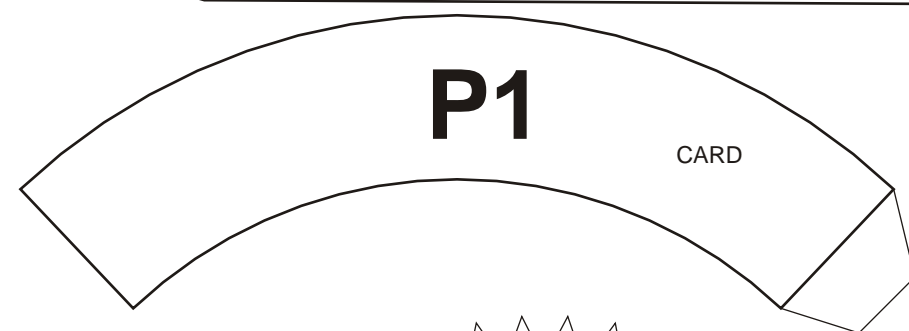
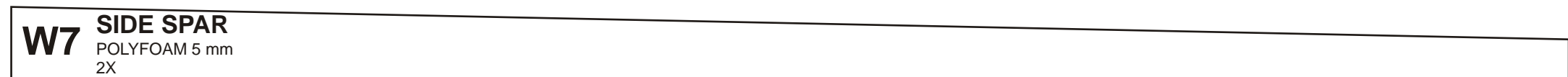
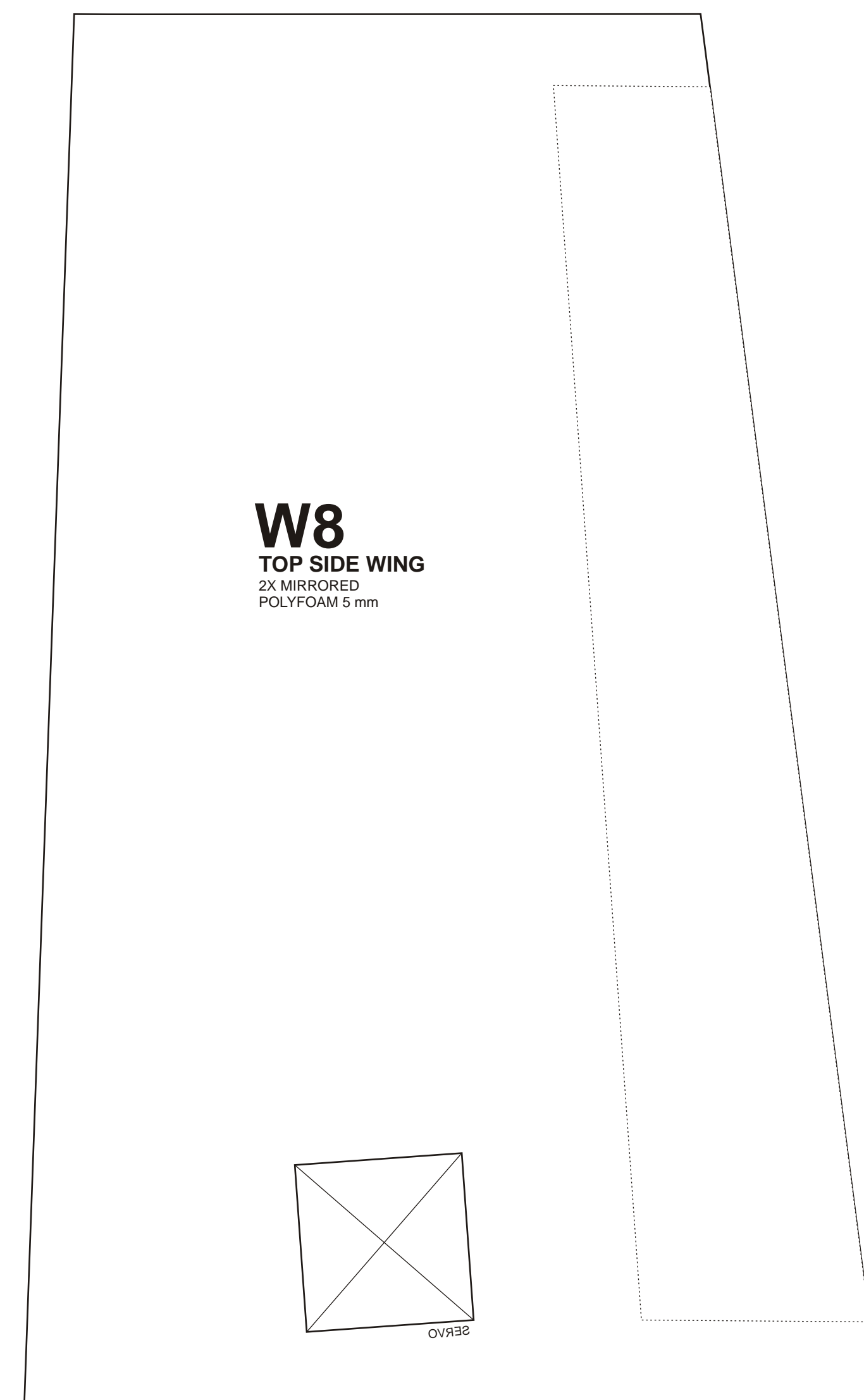
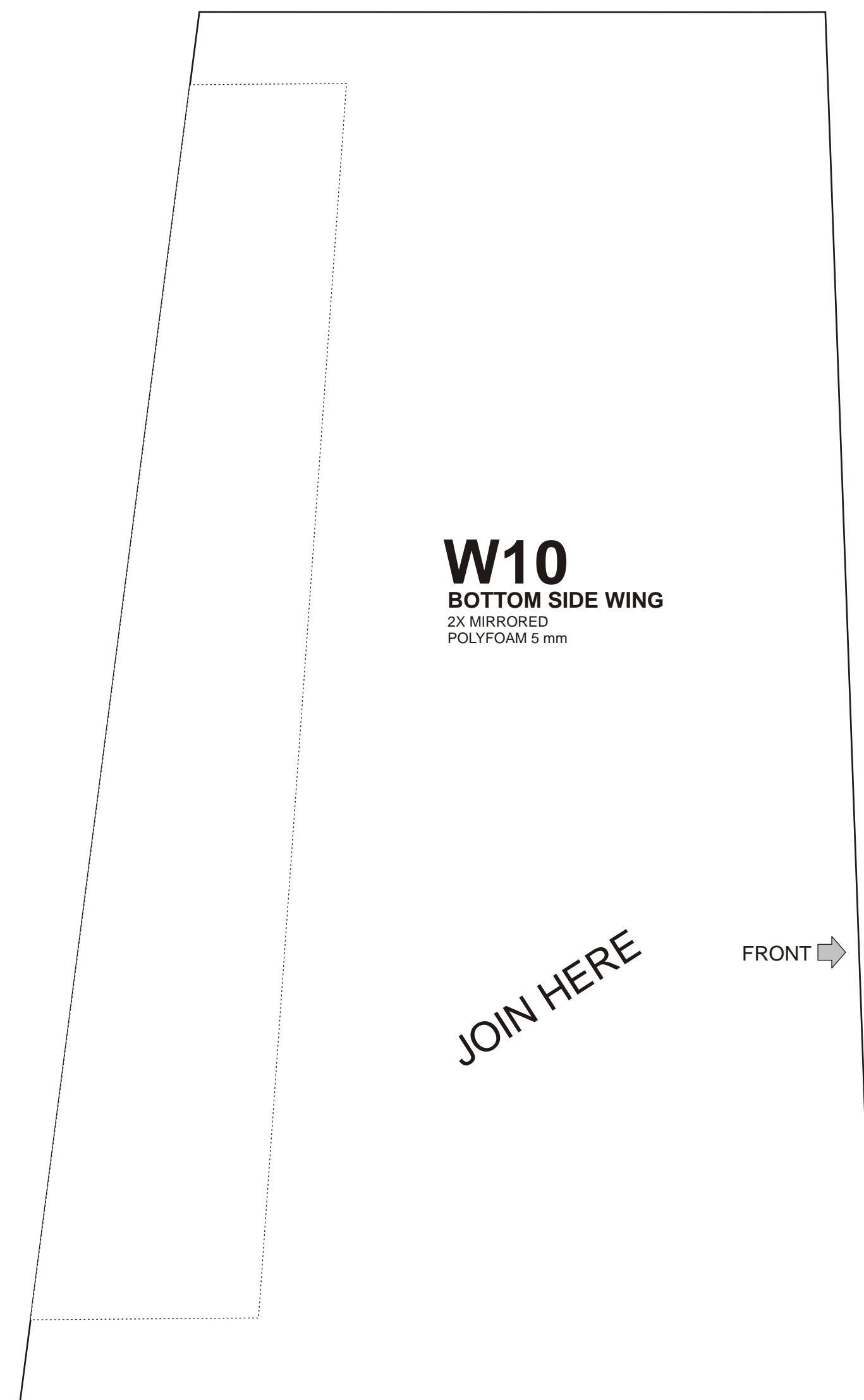
- Specs :**
- 1. Wingspan 120 cm / 47.2 inches
  - 2. Flying weight : 800 gram / 28.2 oz
  - 3. Wing loading : 39.2 g/dm2 / 12.9 oz/sq.ft
  - 4. Wing cube loading : 18.7
  - 5. Wing Area 20.4 dm2 - 316 sq.in

- Electronics :**
- Turnigy 2825 1000kv motor (1000-1400kv)
  - ESC 30A
  - Battery Lipo 3S 2200mah / Li-ion 3S 3300 mah
  - 4 plastic gear 9 gram service
  - Propeller : 84x43 / 10x5

- Materials :**
- 1. 5mm Depron Polyfoam
  - 2. 3mm Plywood
  - 3. 2.5 mm bicycle wheel spoke
  - 4. 0.3 mm mica plastic
  - 5. 10 pcs ice cream sticks
  - 6. White packing tape



Build Instructions :  
1. paper-repika.com  
2. youtube channel : Julius Perdana



Build Instructions :  
1. paper-replika.com  
2. youtube channel : Julius Perdana