



Model : 21/2021



# T-45 Goshawk

900mm

## Specs :

1. Wingspan 900mm / 35.4 inches
2. Flying weight : 870 grams/ 30.7 oz
3. Wing loading : 62.6 gram/dm<sup>2</sup> - 20.6 oz/sq.ft.
4. Wing cube loading : 16.8
5. Wing Area : 13.9 dm<sup>2</sup> / 215 sq.in.
6. CG : 13.3 cm from LE

## Electronics

- Tested with 2826 2200kv brushless motor with 6X4 propeller
- 2212 motor/ drone race motor
- 40A ESC
- Battery Lipo 3S 2200mah / 1300mah
- 4 plastic gear 9 gram servos (micro servo)

## Materials :

1. 5mm Depron/ Polyfoam
2. 3mm Plywood / PVC foam board
3. 0.5mm Mica Plastic
4. hot glue, UHU glue, CA glue
5. packing tape/ laminating film

## Build Instructions :

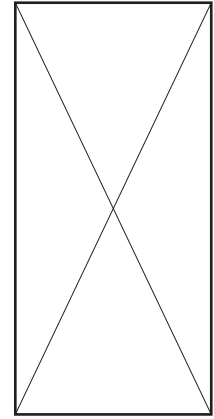
1. [paper-replika.com](http://paper-replika.com)
2. youtube channel : Julius Perdana

**G1**

**LG DOOR**  
PVC FOAM BOARD  
3MM  
2X

**G3**

**LG**  
PVC FOAM BOARD  
3MM  
2X



**F11**

**LG**  
DEPRON/ POLYFOAM 5MM

**W7**

**BELLY FIN**  
MICA PLASTIC  
0.5 MM  
2X

**F1**

**FUSELAGE**  
POLYFOAM/ DEPRON 5MM  
2X MIRRORED

F1

AIRFOIL FORMER  
POLYFOAM/ DEPRON 5MM  
2X  
**W2**

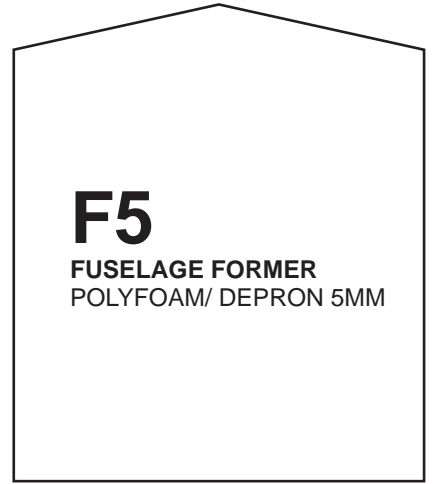
**T2**  
AILERON  
CUT GUIDE

**F1**



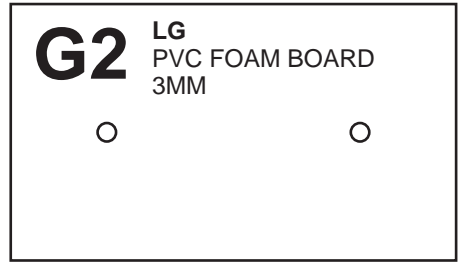


**F1**



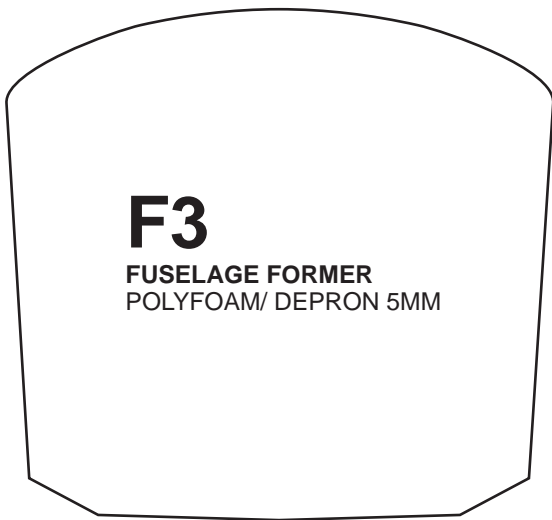
**F5**

**FUSELAGE FORMER**  
POLYFOAM/ DEPRON 5MM



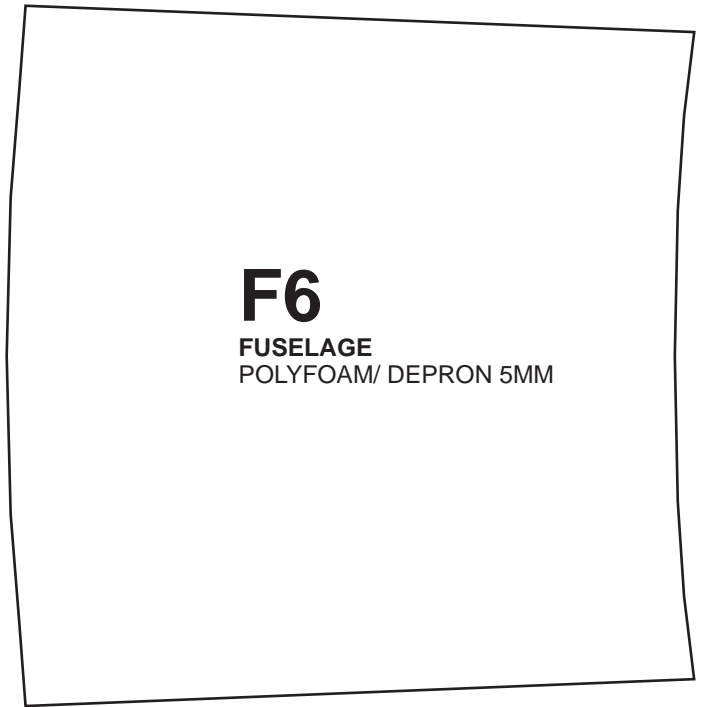
**G2**

**LG**  
PVC FOAM BOARD  
3MM



**F3**

**FUSELAGE FORMER**  
POLYFOAM/ DEPRON 5MM



**F6**

**FUSELAGE**  
POLYFOAM/ DEPRON 5MM



**F2**  
FUSELAGE  
POLYFOAM/ DEPRON 5MM



**F4**  
FUSELAGE FORMER  
POLYFOAM/ DEPRON 5MM



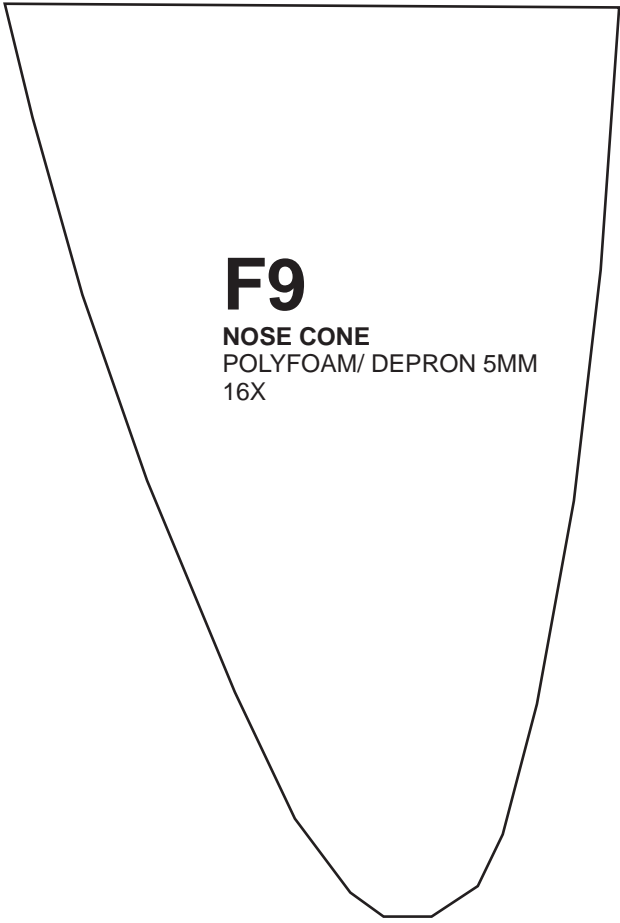
**F10** LG  
PVC FOAM BOARD 3MM  
3X



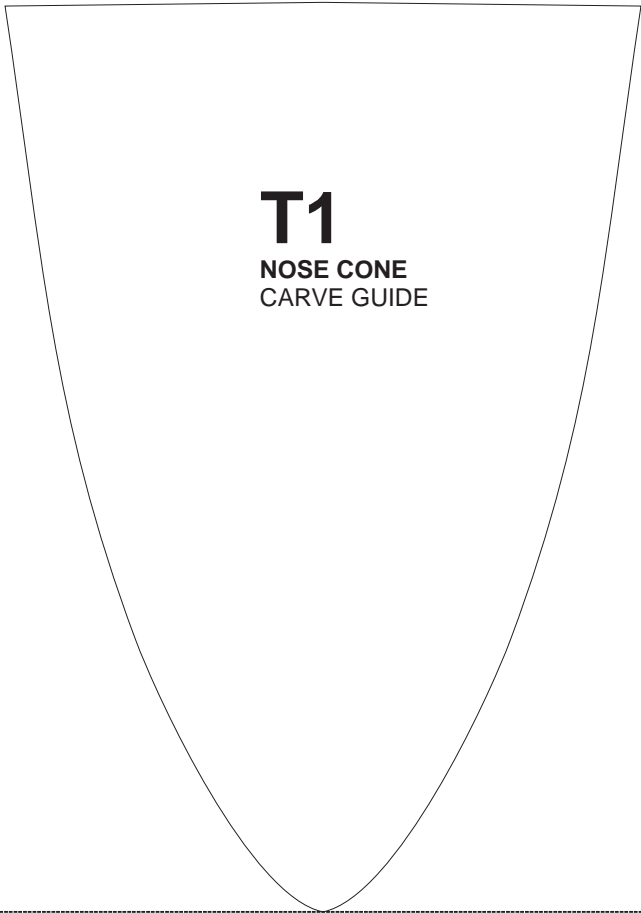
**F16**  
COCKPIT  
POLYFOAM/ DEPRON 5MM

JOIN HERE

JOIN HERE

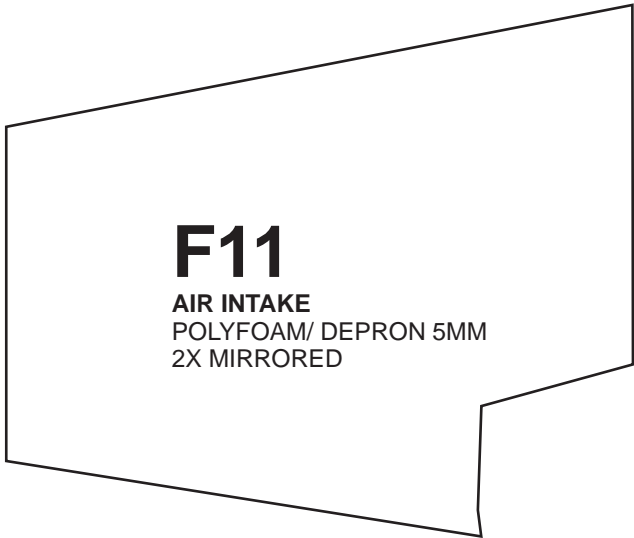


F2

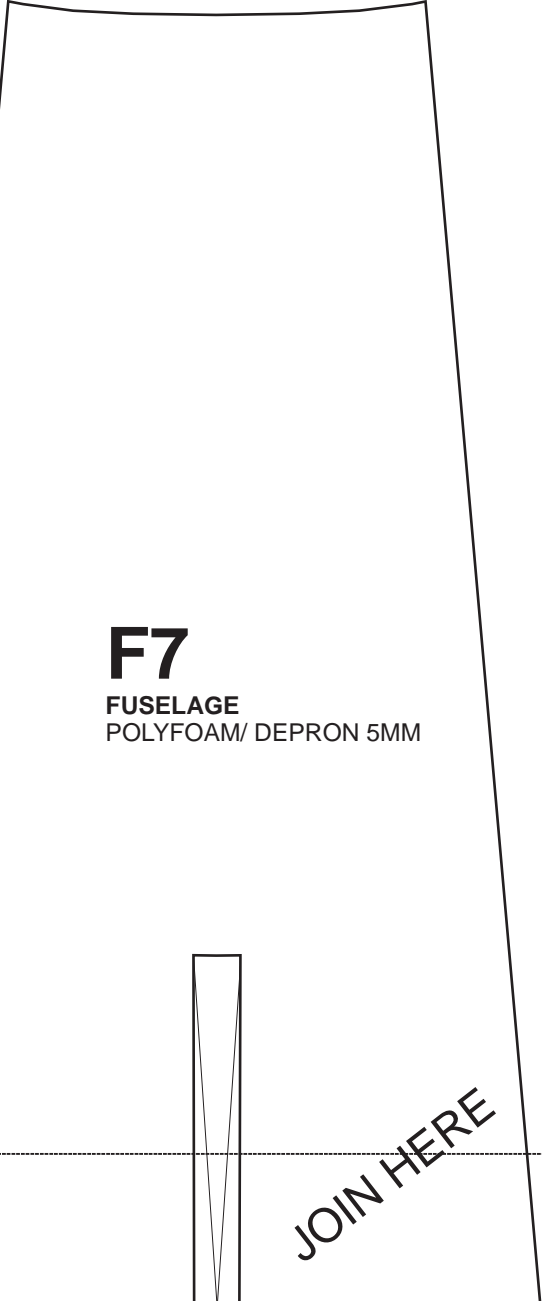


JOIN HERE

JOIN HERE



F2



JOIN HERE

JOIN HERE



JOIN HERE

F2

JOIN HERE

F7

S2

JOIN HERE

JOIN HERE

**S2**

VER-STAB  
POLYFOAM/  
DEPRON 5MM

JOIN HER

**F12**

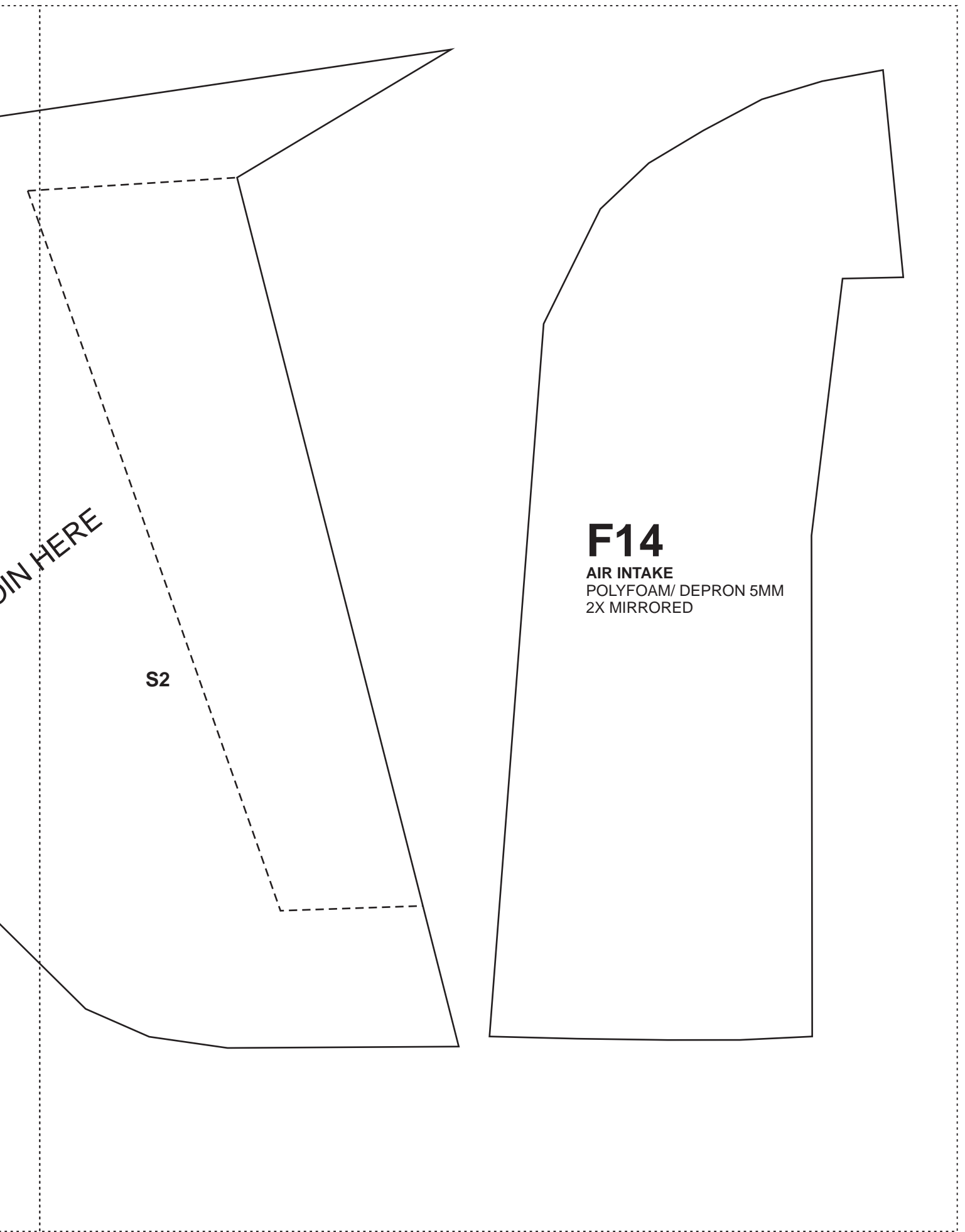
AIR INTAKE  
POLYFOAM/ DEPRON 5MM  
2X MIRRORED

JOIN HERE

S2

**F14**

AIR INTAKE  
POLYFOAM/ DEPRON 5MM  
2X MIRRORED





**F8**

FUSELAGE  
POLYFOAM/ DEPRON 5MM

JOIN HERE

JOIN HERE

F8

**S1**

HOR-STAB  
POLYFOAM/ DEPRON 5MM  
2X MIRRORED

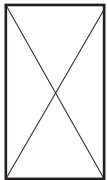
**F13**

AIR INTAKE  
POLYFOAM/ DEPRON 5MM  
2X MIRRORED

**W1**

**WING BASE**  
POLYFOAM/ DEPRON 5MM  
2X MIRRORED

JOIN HERE



**F12**

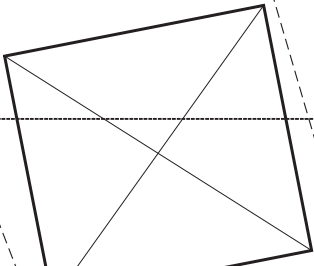
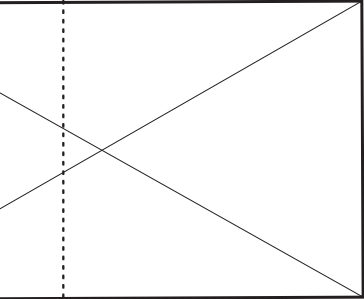
**SERVO PLATFORM**  
PVC FOAM BOARD  
3MM

JOIN HERE

JOIN HERE

W1

JOIN HERE



JOIN HERE

W1

JOIN HER

**C2**

CANOPY  
MICA PLASTIC 0.5MM

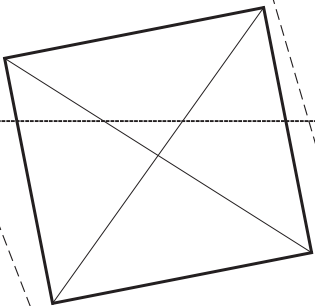
**W6**

BELLY FIN  
PVC FOAM BOARD 3MM



JOIN HERE

JOIN HERE



W1

WING SPAR  
POLYFOAM/ DEPRON 5MM  
2X  
**W4**

WING SPAR  
POLYFOAM/ DEPRON 5MM  
2X  
**W3**

JOIN HERE

JOIN HERE

**T3**  
FUSELAGE  
CUT GUIDE

JOIN HERE

W4

JOIN HERE

W3

JOIN HERE

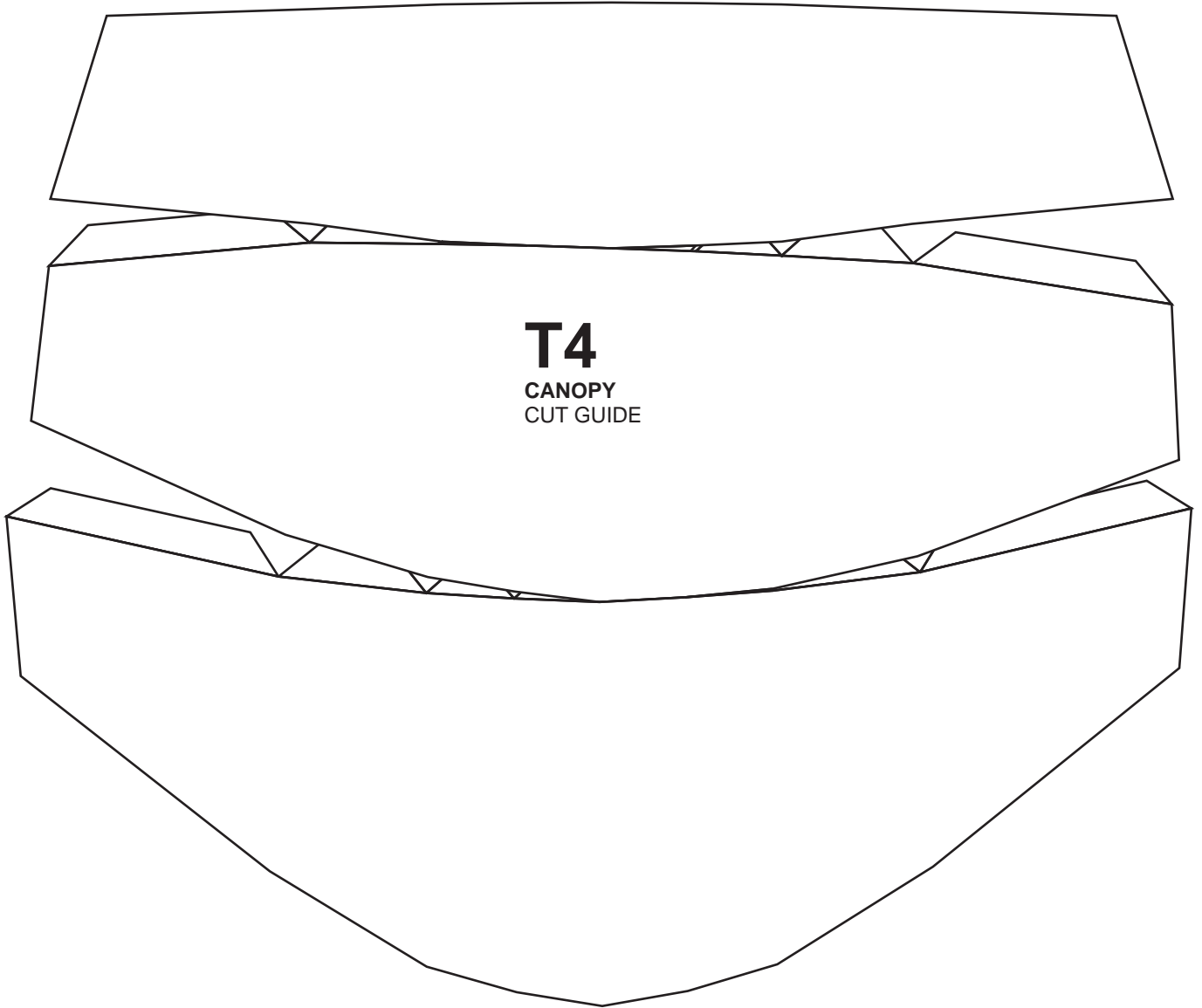
T3 JOIN HERE

**W8**

BELLY FIN  
PVC FOAM BOARD 3MM  
2X

**T4**

CANOPY  
CUT GUIDE



**C1**  
CANOPY  
MICA PLASTIC 0.5MM

W5

CG = 11.8cm

JOIN HERE

# W5

TOP WING  
POLYFOAM/ DEPRON 5MM  
2X MIRRORED

CG = 11.8cm



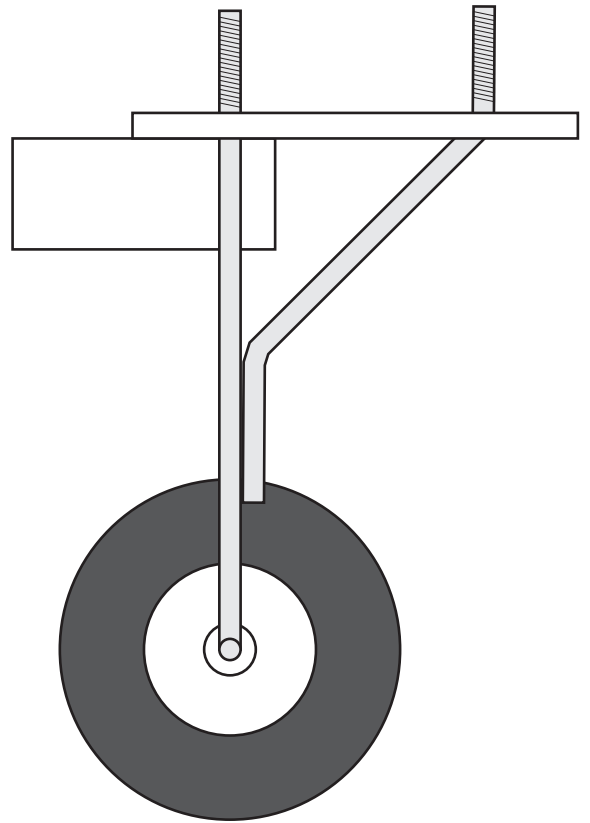
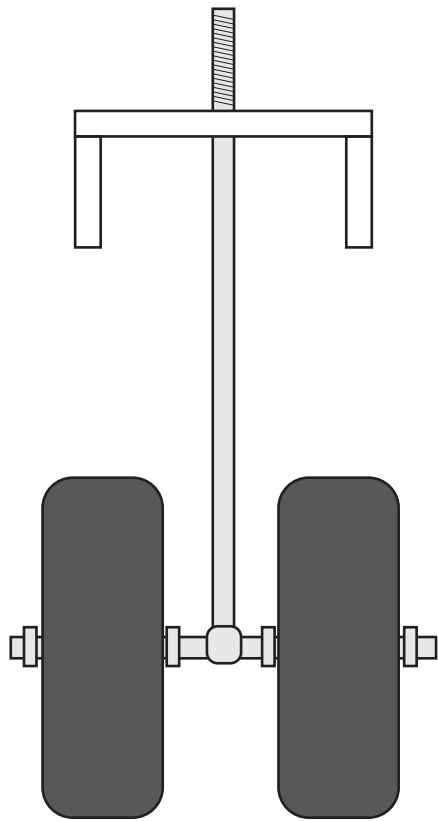
JOIN HERE

JOIN HERE

JOIN HERE

W5

# FRONT LANDING GEAR



# MAIN LANDING GEAR (L/R)

