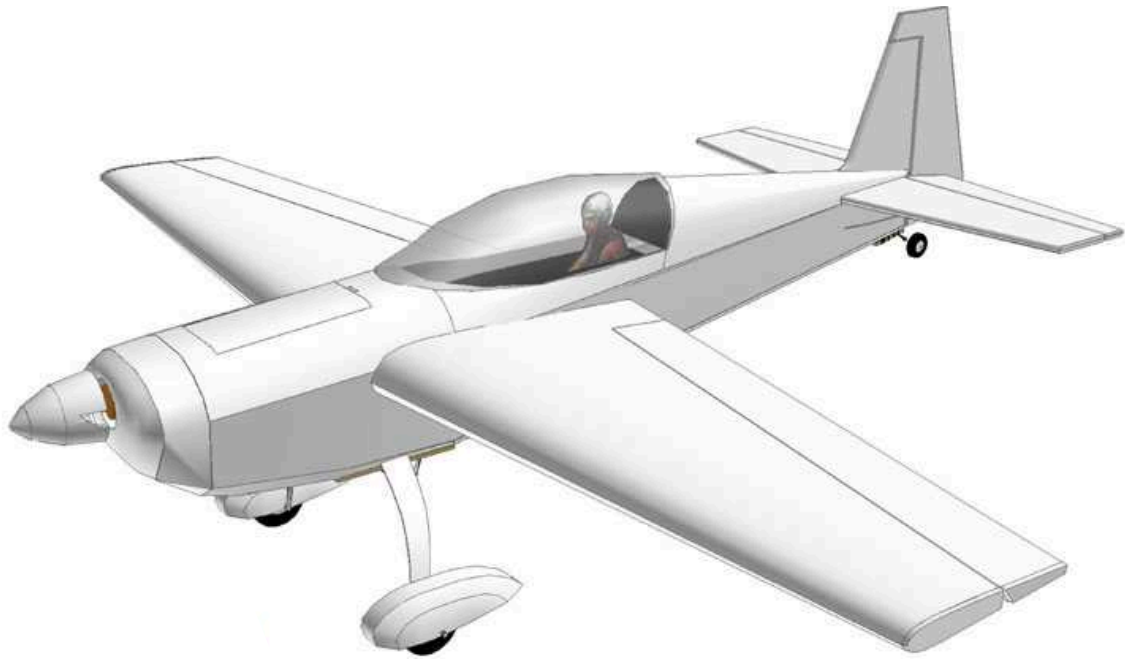


## LEGEND

- Glue
- \* Cutout - make a hole



Model : No. 0418/IX/18



## RC Projects

# EXTRA 300

### RC Plane

900 mm

#### Specs :

1. Wingspan 900 mm
2. AUW 700 gram
3. Battery 3S 2200 mAh
4. 4x servo 9 gram
5. ESC 50A
6. Turnigy 2831 1000kv with 9x6 prop

#### Materials :

1. 3 mm foam sheet (polyfoam/ depron)
2. 5 mm foam sheet
3. 3 mm plywood
4. 9 mm plywood (1 pc)
5. Hot glue
6. CA glue
7. Foam glue
8. 3 mm Stainless steel rod
9. 2.8 mm Stainless steel rod
10. Pushrod wire (1 mm)
11. Plastic sheet (horn)
12. Cable terminal / stopper
13. 40 mm wheel
14. 45 mm spinner (optional)
15. 0.5 mm Clear Mica plastic (canopy)
16. Packing tape
17. Masking tape
18. Vinyl Sticker (optional)
19. Decal vinyl sticker (optional)

**Assembly Instructions - [click here](#)**

Petunjuk Perakitan

Designed by Julius Perdana - 2018

**02**  
3 mm foam  
1X

**01**  
3 mm foam  
1X



JOIN HERE

JOIN HERE

JOIN HERE

**02**  
3 mm foam  
1X

JOIN HERE

JOIN HERE

**01**  
3 mm foam  
1X

JOIN HERE

JOIN HERE

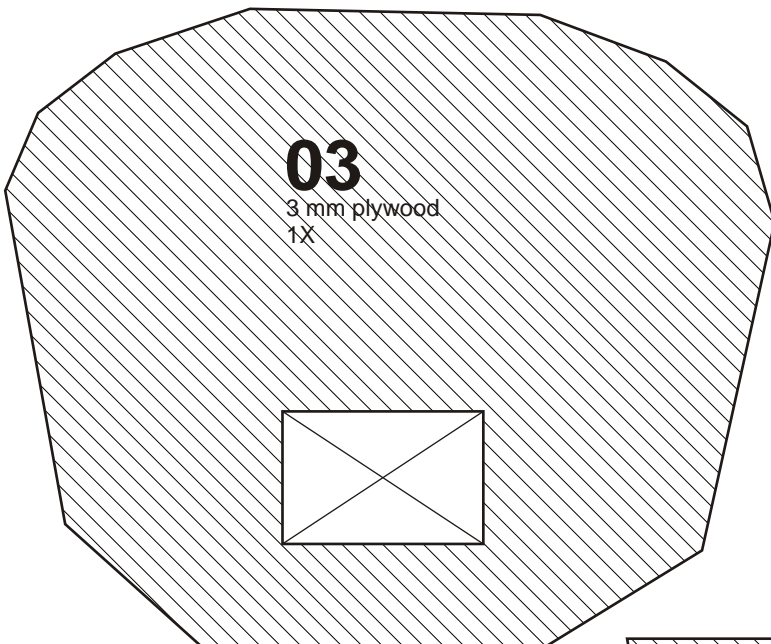
JOIN HERE



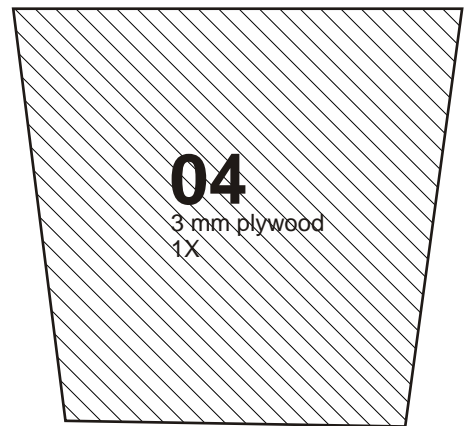
**02**  
3 mm foam  
1X



**01**  
3 mm foam  
1X



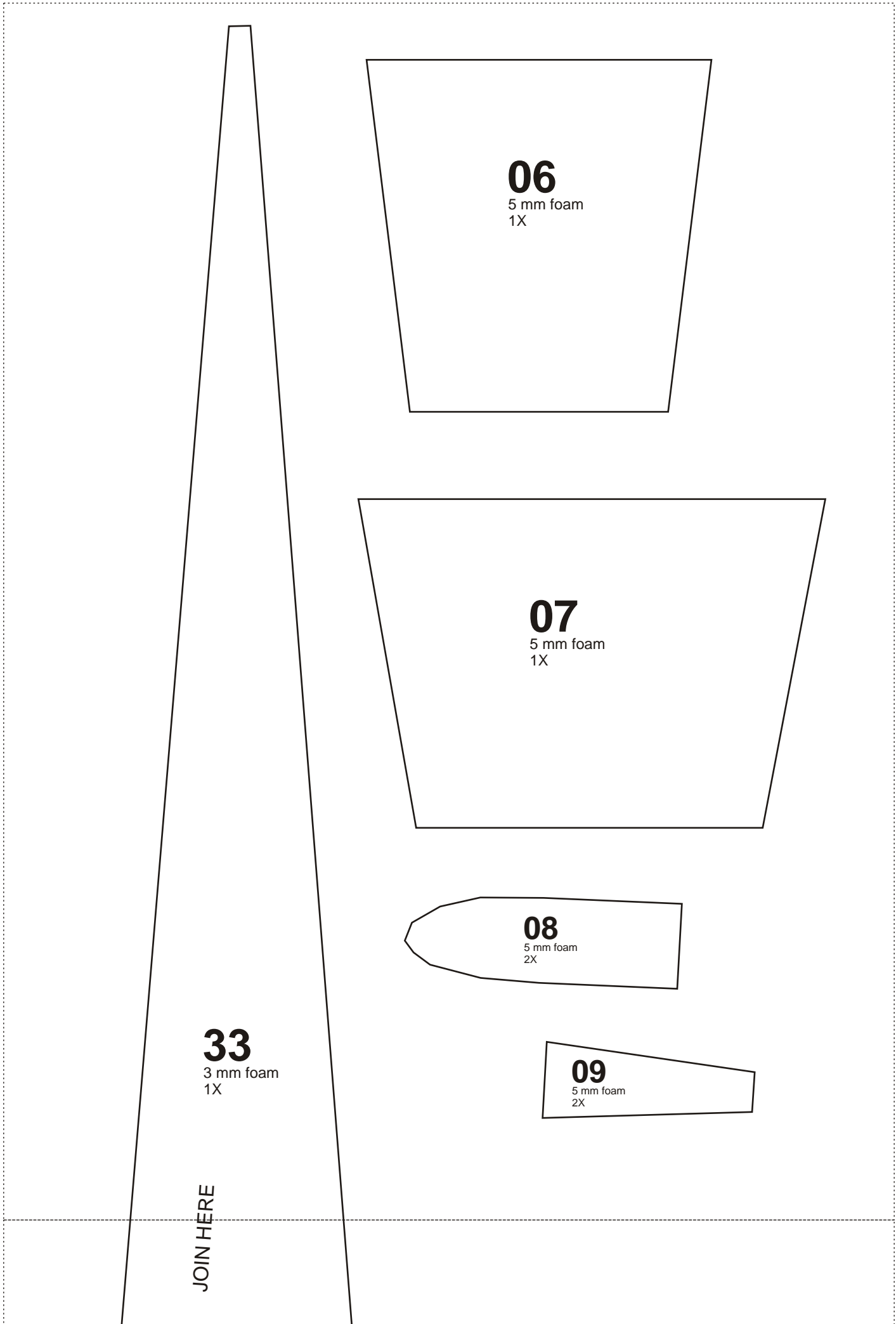
**03**  
3 mm plywood  
1X



**04**  
3 mm plywood  
1X



**05**  
3 mm plywood  
1X



**06**

5 mm foam  
1X

**07**

5 mm foam  
1X

**08**

5 mm foam  
2X

**09**

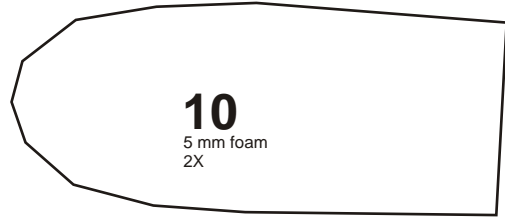
5 mm foam  
2X

**33**

3 mm foam  
1X

JOIN HERE

JOIN HERE



**33**  
3 mm foam  
1X



JOIN HERE

JOIN HERE

JOIN HERE

JOIN HERE

**33**  
3 mm foam  
1X

**11**  
5 mm foam  
2X

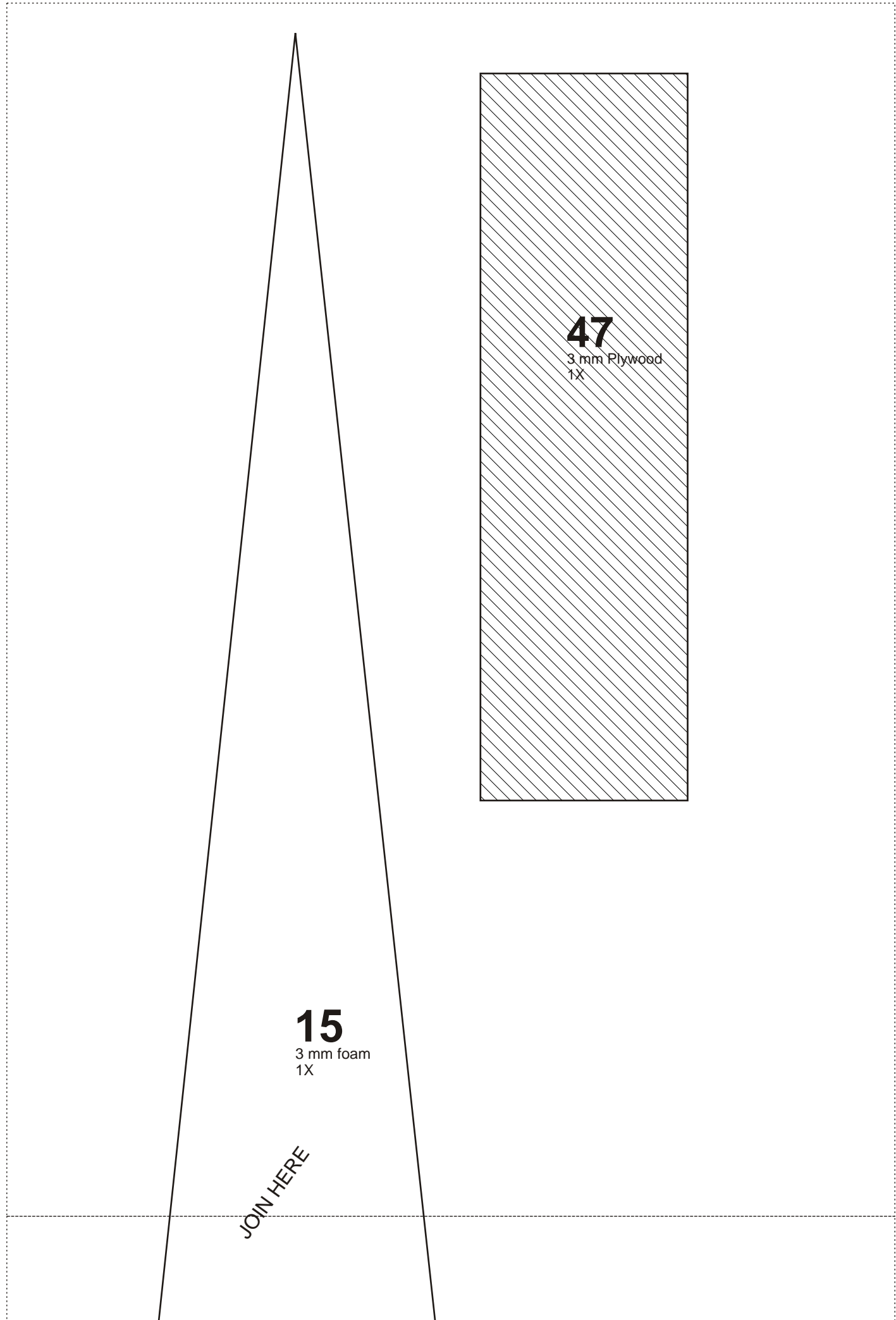
**12**  
5 mm foam  
2X

JOIN HERE

**14**  
5 mm foam  
2X

JOIN HERE

**13**  
5 mm foam  
2X



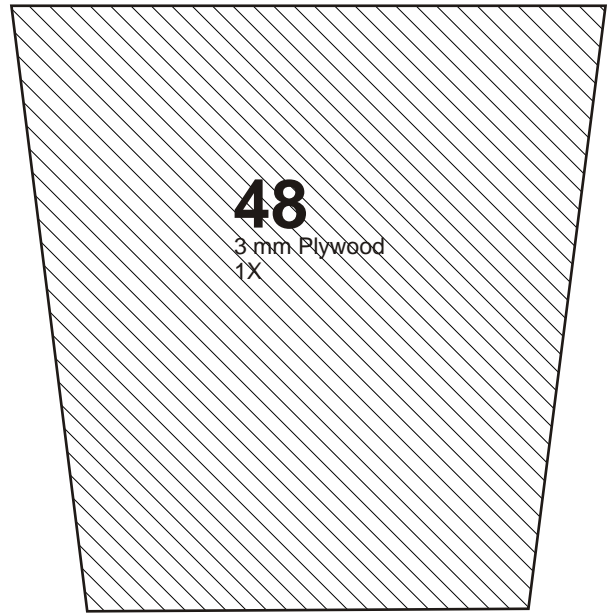
**15**  
3 mm foam  
1X

JOIN HERE

**47**  
3 mm Plywood  
1X



JOIN HERE



**48**  
3 mm Plywood  
1X

**15**  
3 mm foam  
1X

JOIN HERE

JOIN HERE

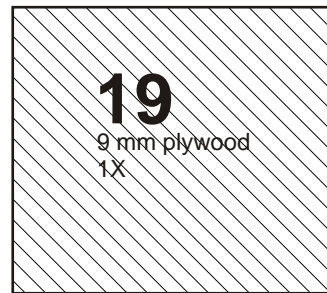
JOIN HERE

**18**  
3 mm foam  
1X

**15**  
3 mm foam  
1X

**32**  
5 mm foam  
1X

**18**  
3 mm foam  
1X



JOIN HERE

**18**  
3 mm foam  
1X

**20**

3 mm foam  
1X

**21**

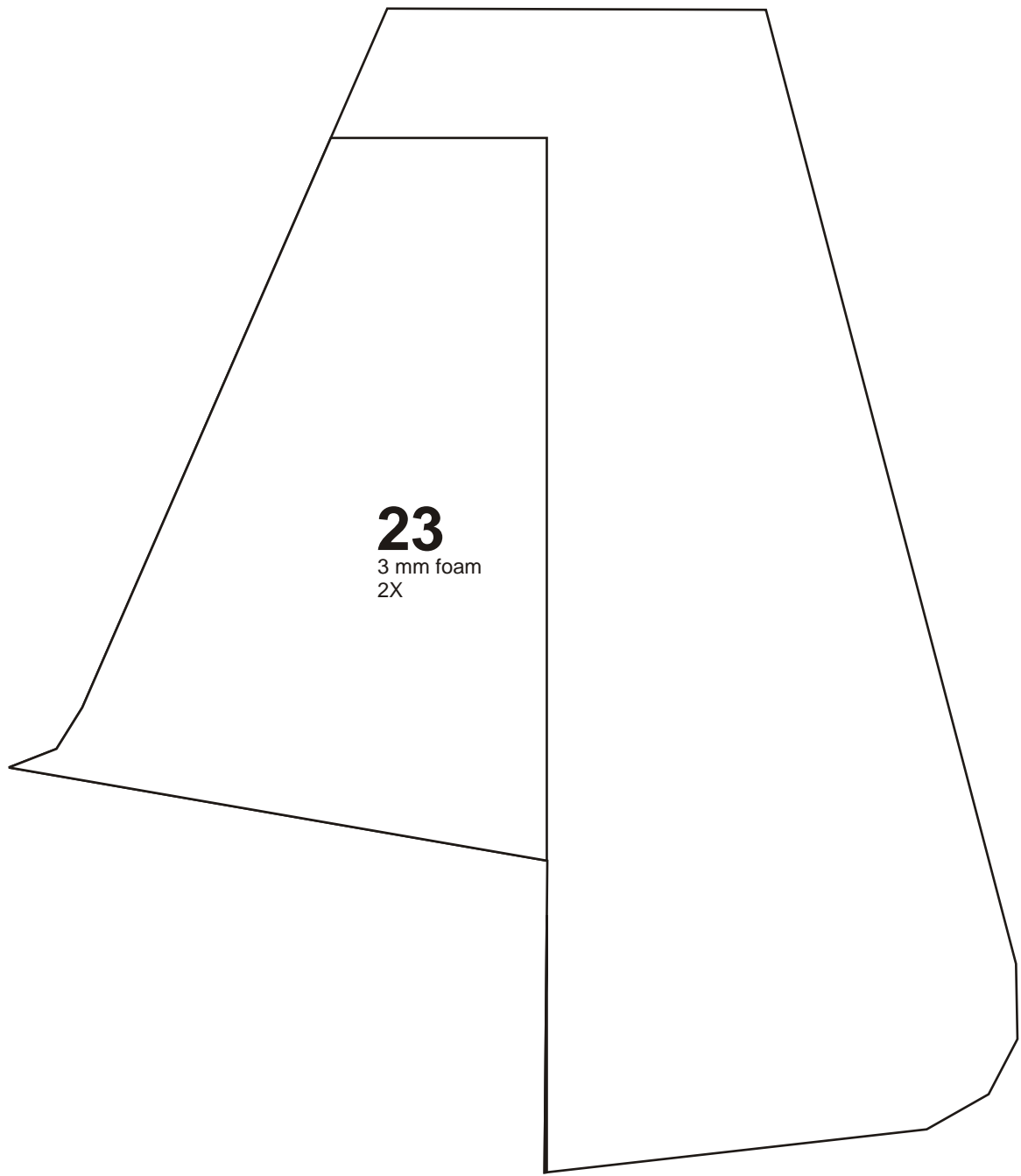
3 mm foam  
1X

**46**

3 mm Plywood  
2X

**22**

3 mm foam  
2X left and right



**23**

3 mm foam  
2X

plywood  
1x

JOIN HERE

**34**

3 mm  
plywood  
2x

**24**

3 mm foam  
2X

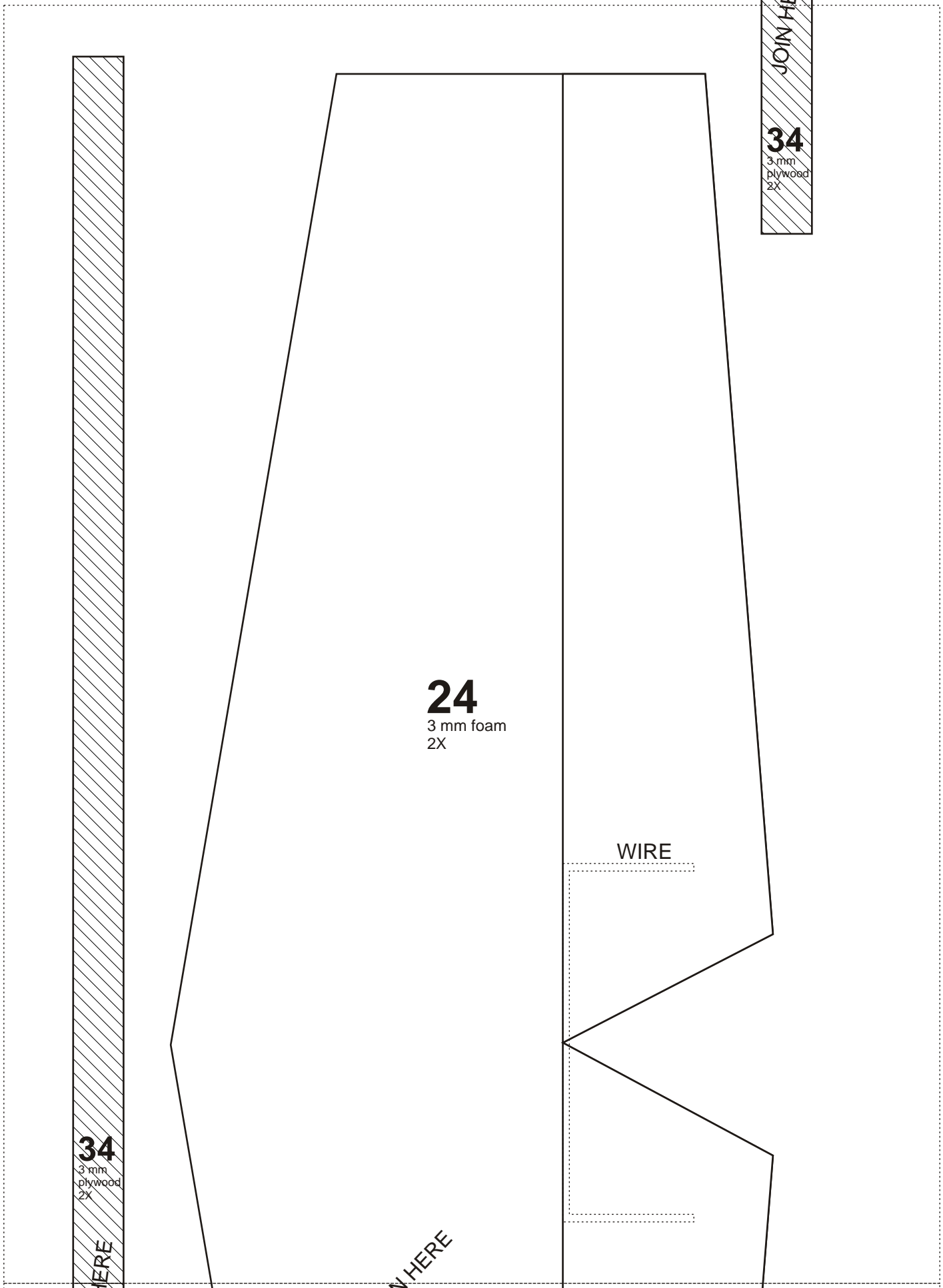
WIRE

**34**

3 mm  
plywood  
2x

JOIN HERE

JOIN HERE



JOIN HERE

**24**

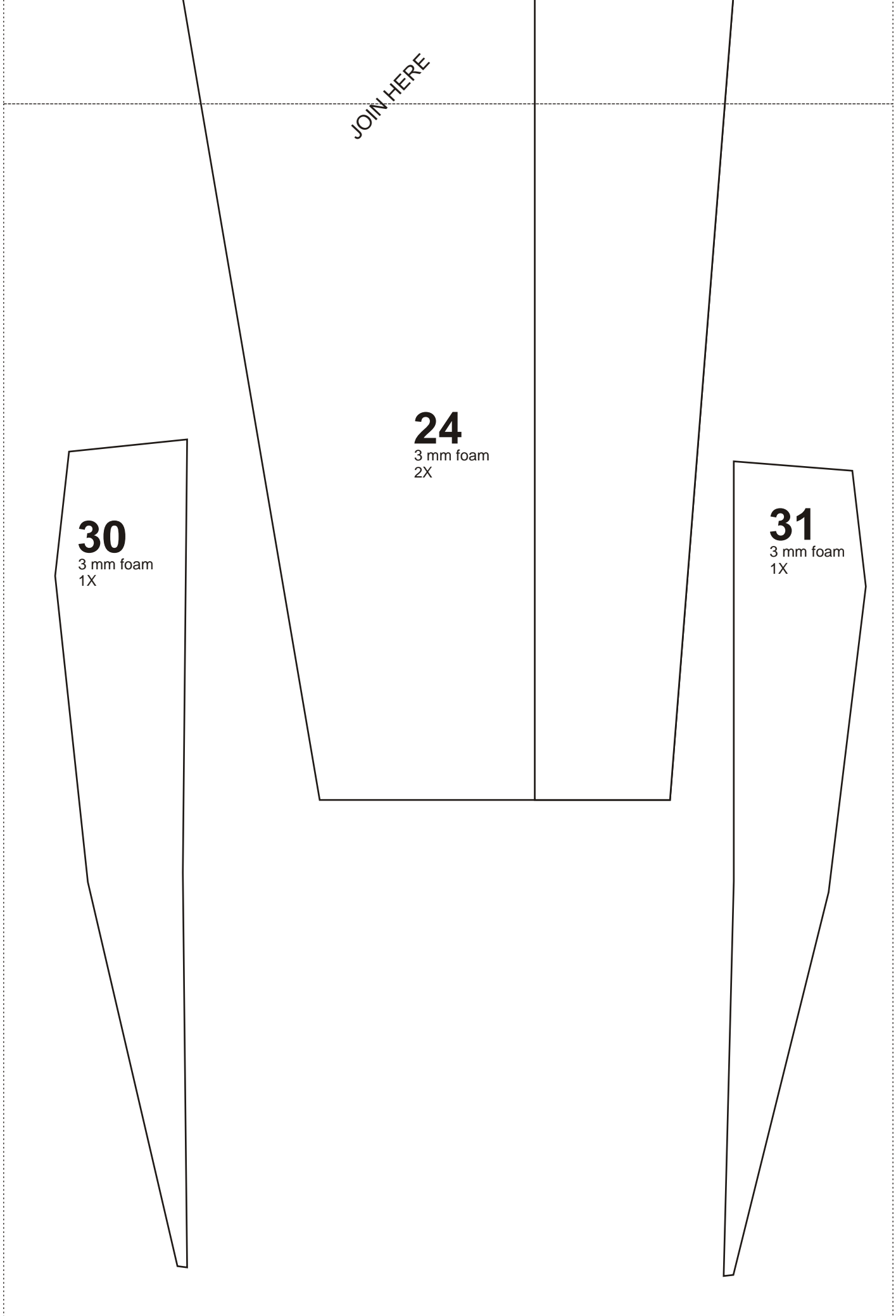
3 mm foam  
2X

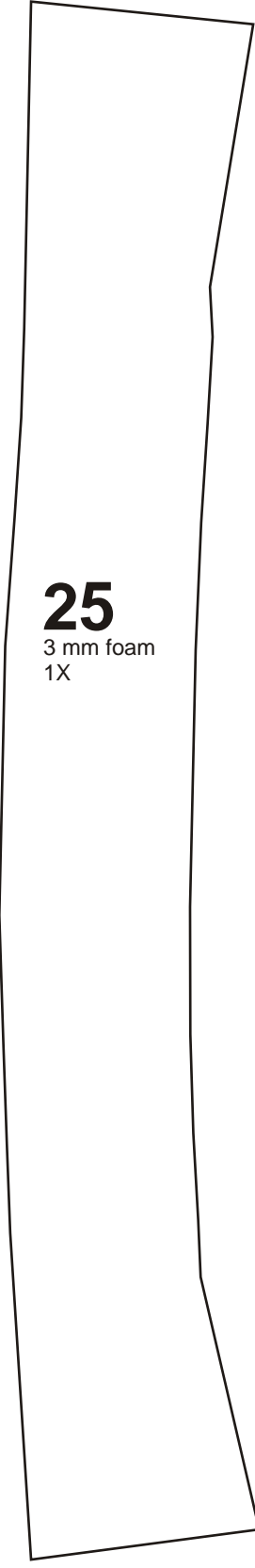
**30**

3 mm foam  
1X

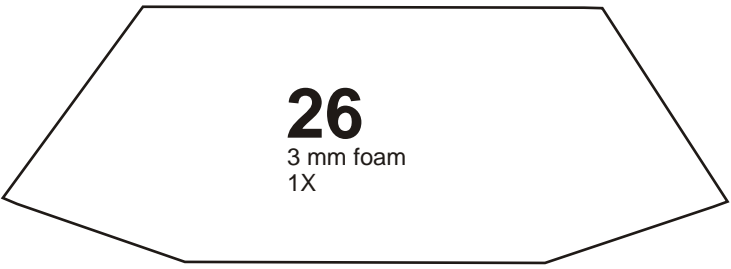
**31**

3 mm foam  
1X

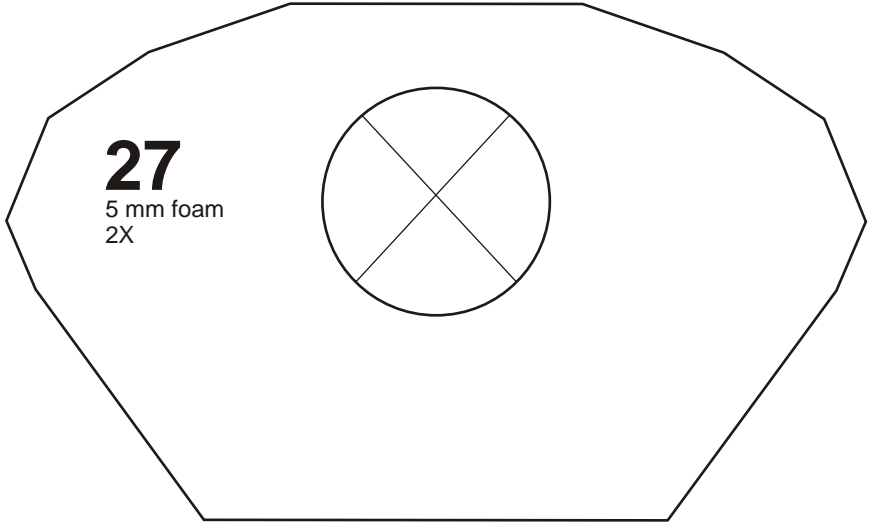




**25**  
3 mm foam  
1X



**26**  
3 mm foam  
1X



**27**  
5 mm foam  
2X



**16**

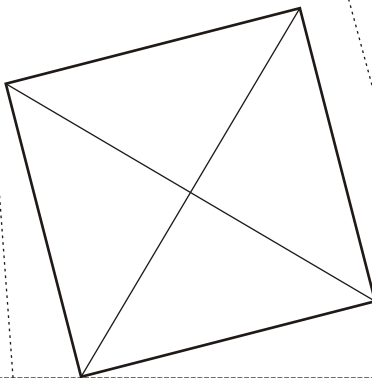
3 mm foam  
2X Left Right

**17**

3 mm foam  
2X Left Right

JOIN HERE

JOIN HERE



JOIN HERE

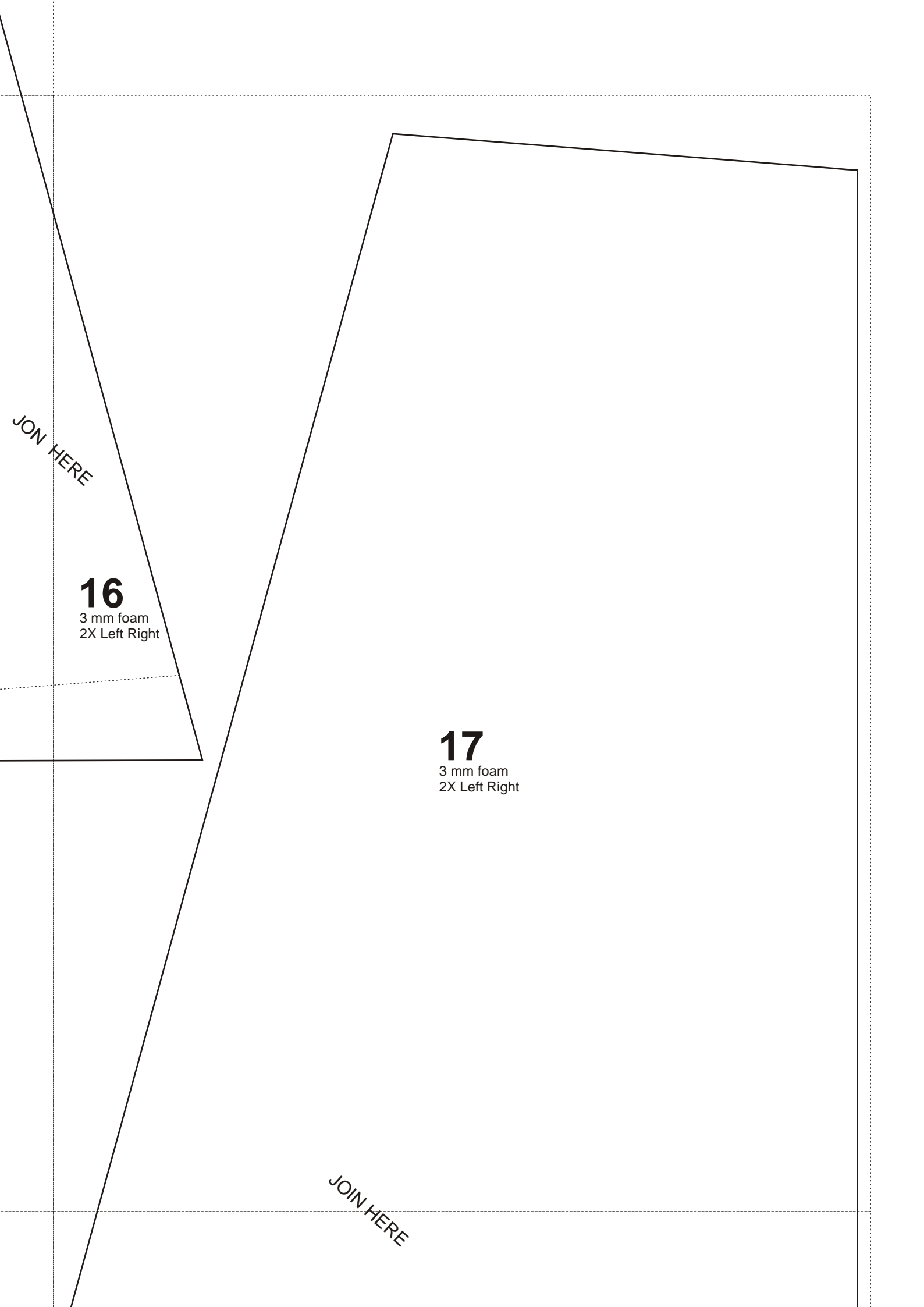
**16**

3 mm foam  
2X Left Right

JOIN HERE

**10**

3 mm  
2X L



JOIN HERE

**16**

3 mm foam  
2X Left Right

**17**

3 mm foam  
2X Left Right

JOIN HERE

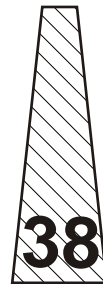
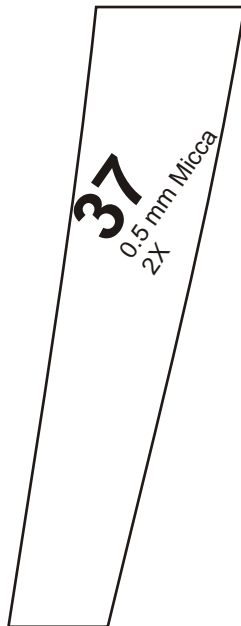
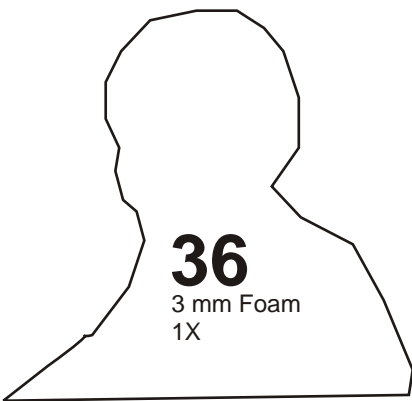
JON HERE

**17**

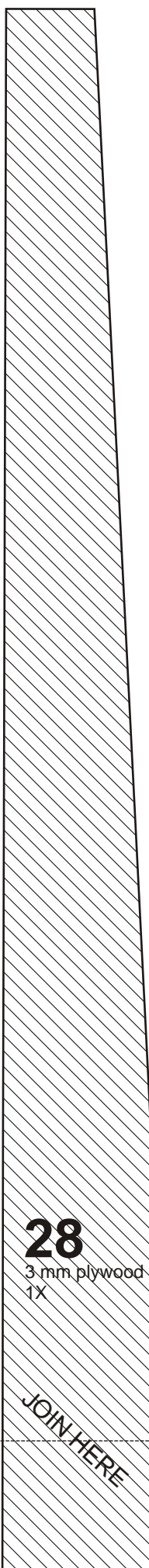
3 mm foam  
2X Left Right

JON HERE

oam  
Right



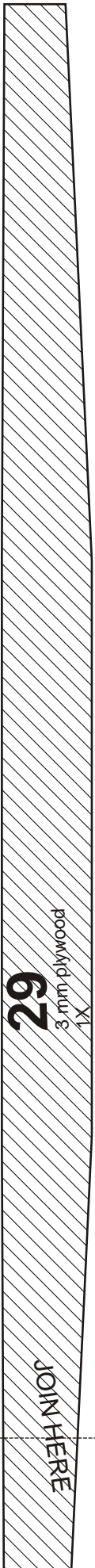
3 mm plywood  
1X



**28**

3 mm plywood  
1X

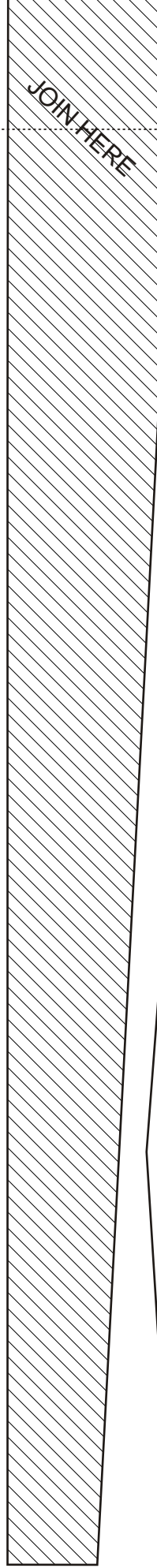
JOIN HERE



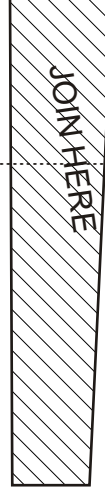
**29**

3 mm plywood  
1X

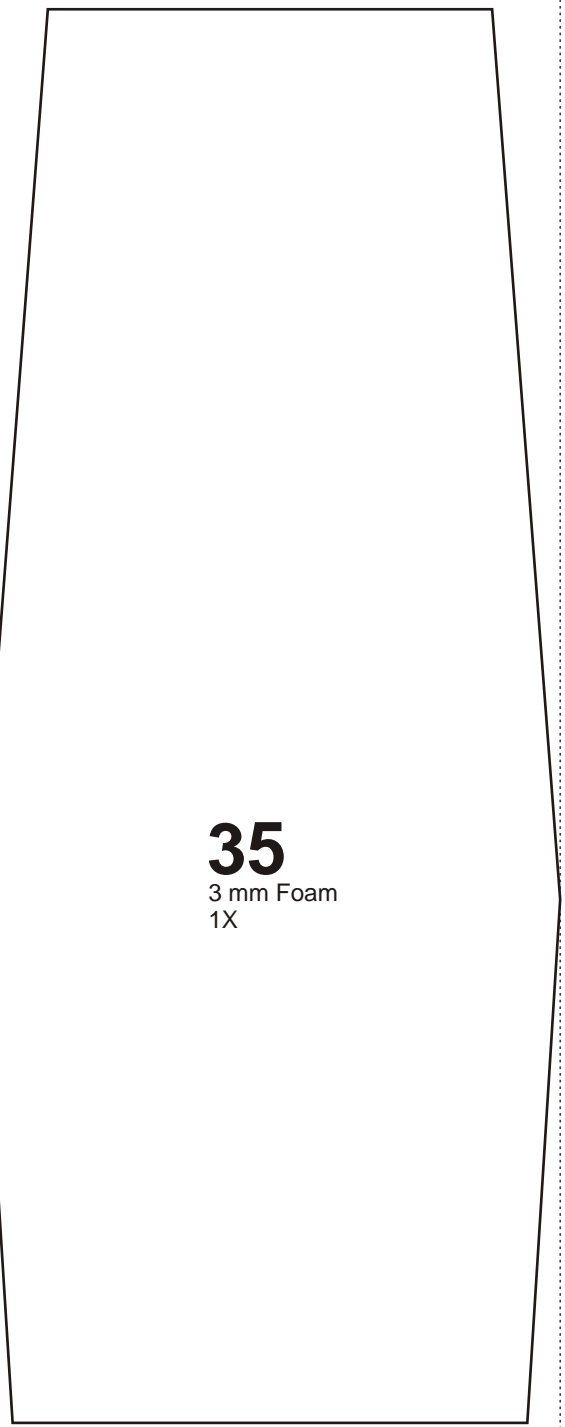
JOIN HERE



JOIN HERE

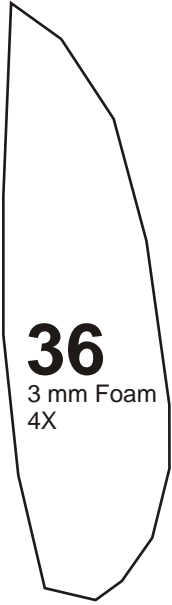


JOIN HERE



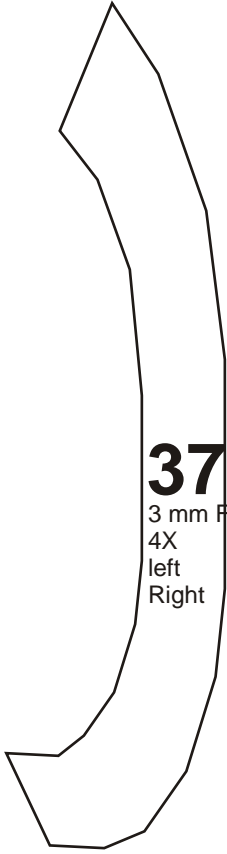
**35**

3 mm Foam  
1X



**36**

3 mm Foam  
4X



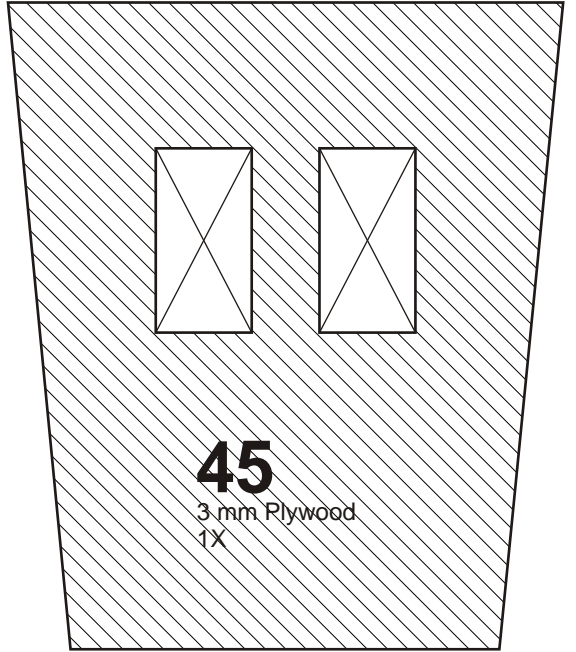
**37**

3 mm Foam  
4X  
left  
Right



**38**

3 mm Foam  
2X



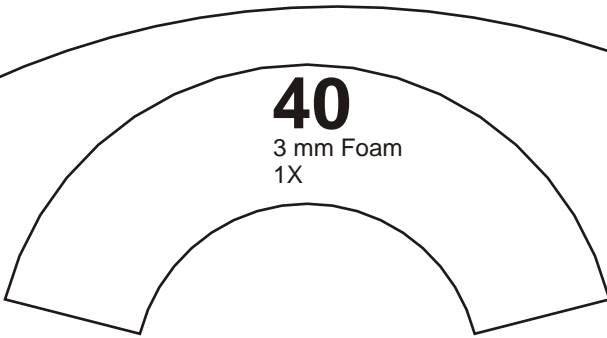
**45**

3 mm Plywood  
1X



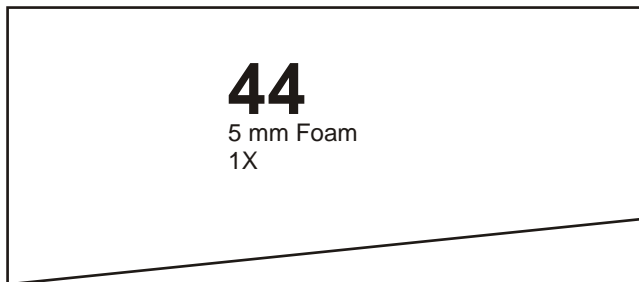
**39**

3 mm Foam  
1X



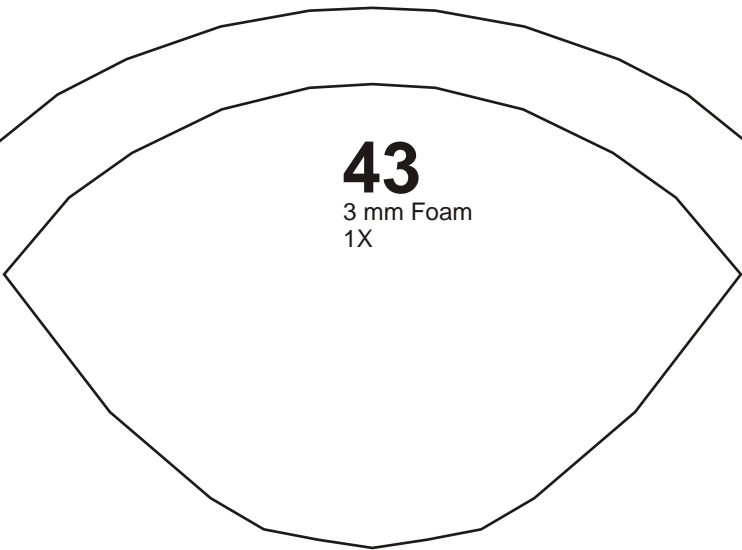
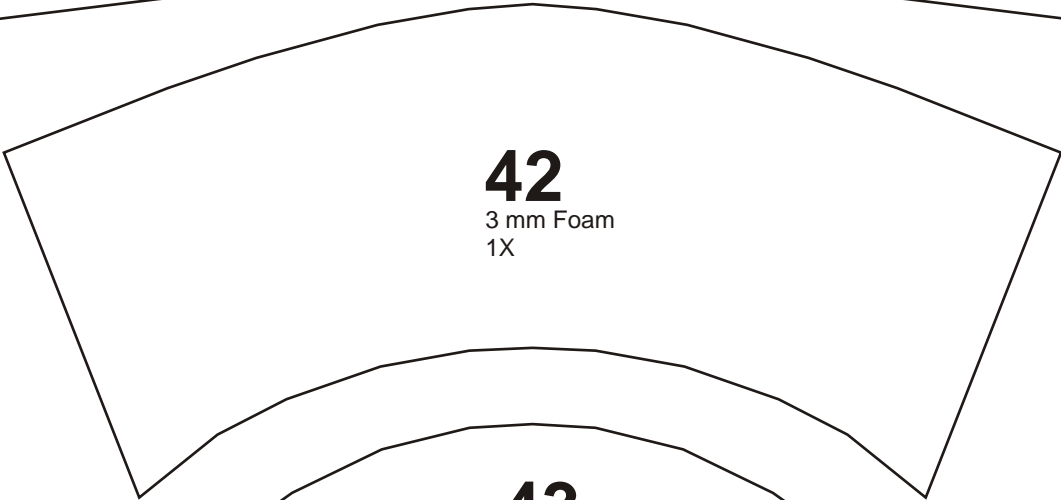
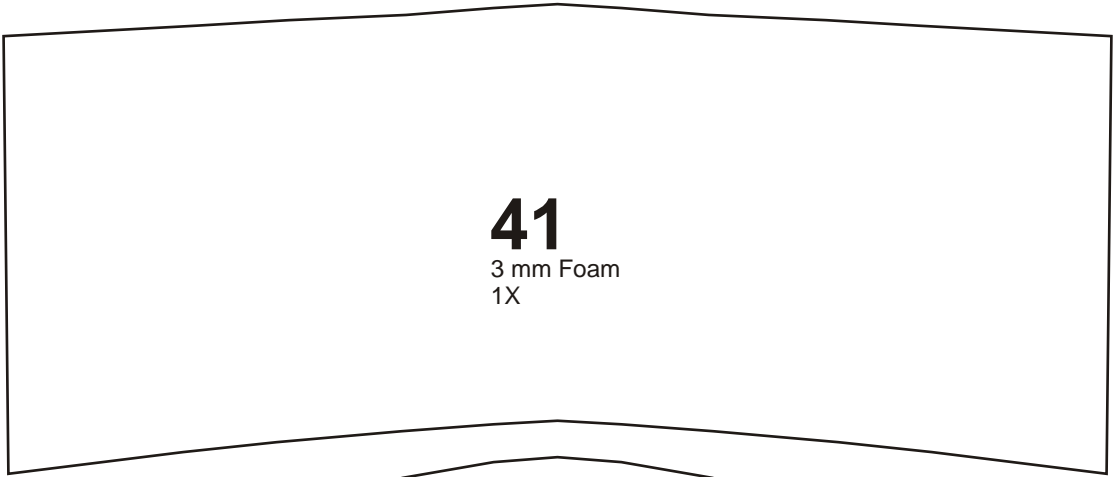
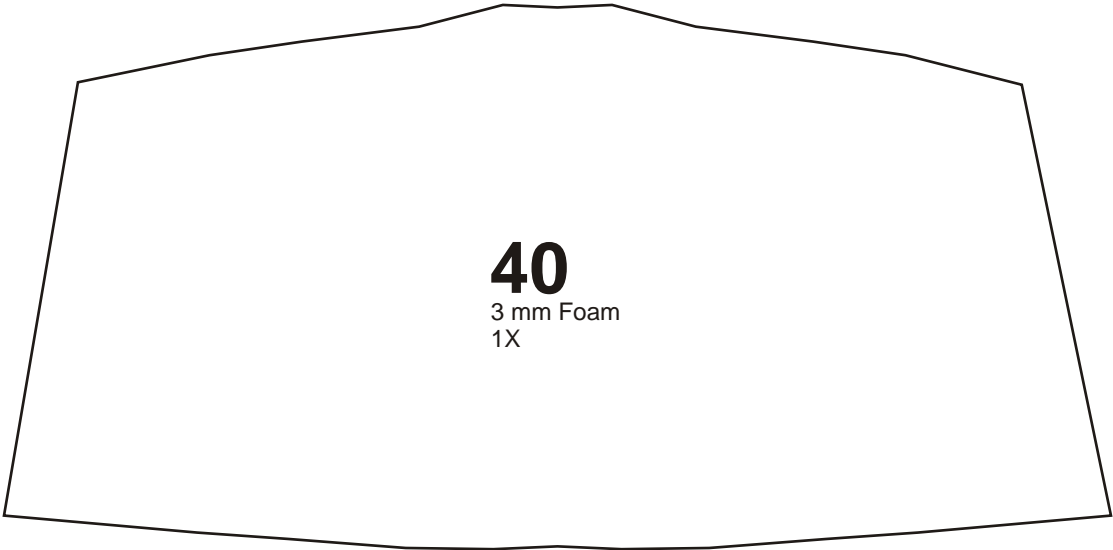
**40**

3 mm Foam  
1X

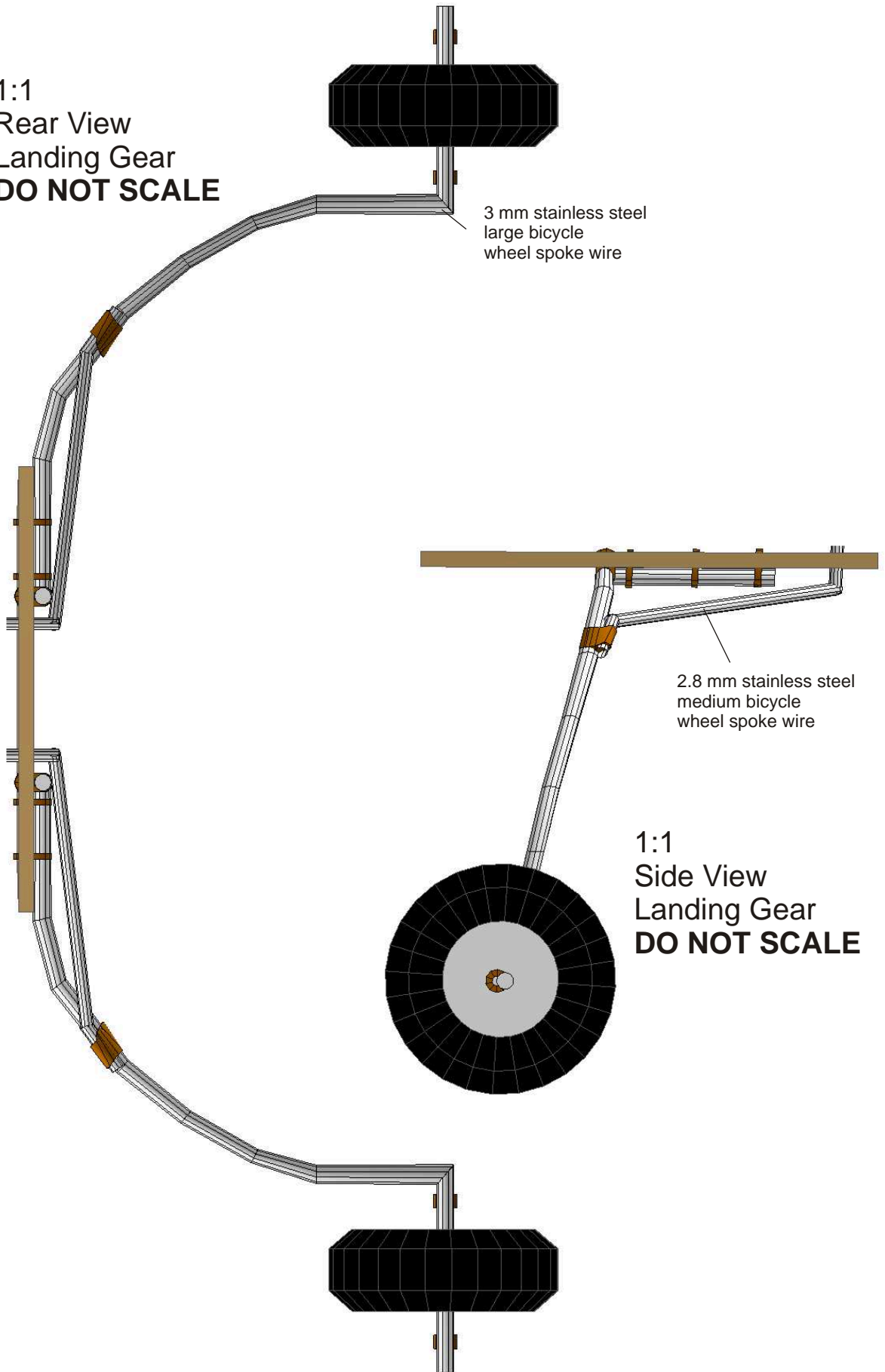


**44**

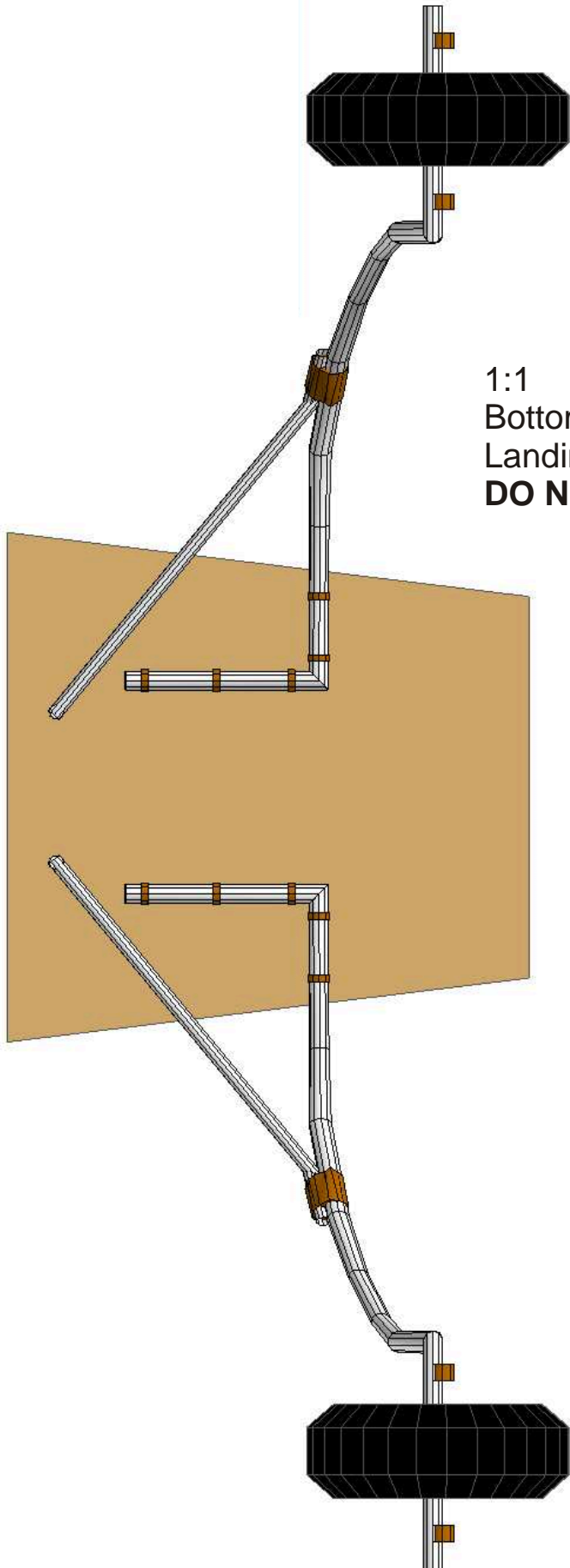
5 mm Foam  
1X



1:1  
Rear View  
Landing Gear  
**DO NOT SCALE**







1:1  
Bottom View  
Landing Gear  
**DO NOT SCALE**