

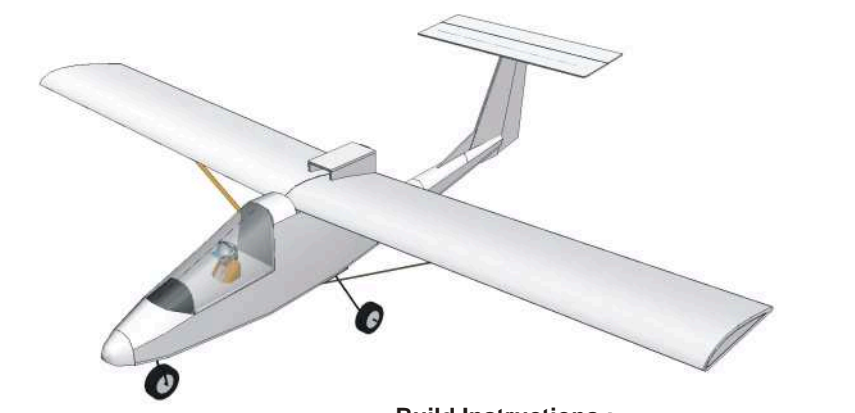
SKY ARROW

1700mm

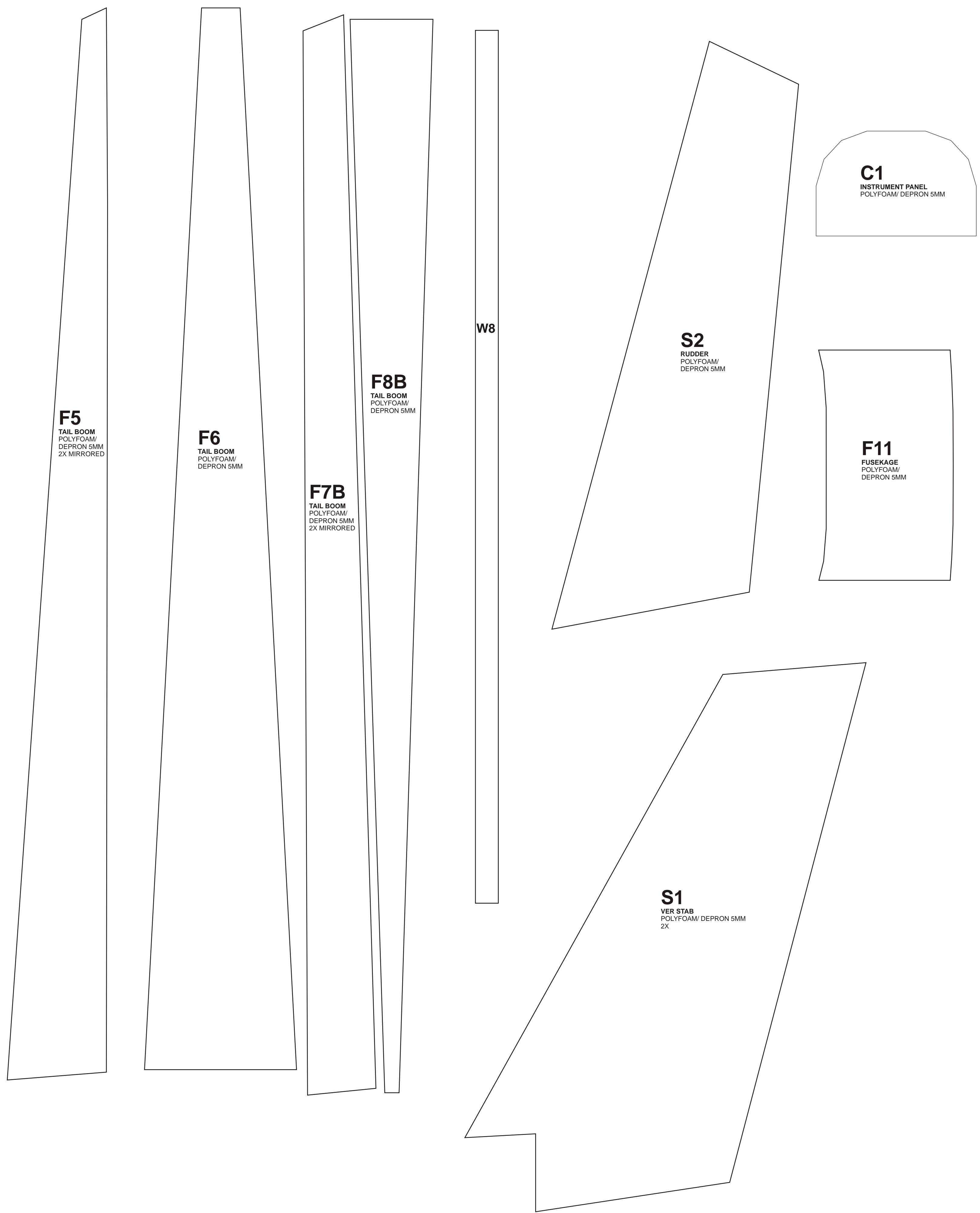
- Specs :
- 1. Wingspan 1700mm / 67 inches
 - 2. Flying weight: 1050 grams/ 37 oz
 - 3. Wing loading: 27.4 g/inch² - 8 oz/sq.ft
 - 4. Wing cube loading: -4.4
 - 5. Wing Area: 38.3 dm² / 104 sq in
 - 6. CG : 5.75 cm from LE

- Electronics
- Turnigy 2830 1000kv brushless motor
 - ESC 50A
 - Battery Lipo 3S 2200mah - Li-ion 3S 3300 mah
 - 4 plastic gear 9 gram servos
 - Propeller: 8x4.5

- Materials :
- 1. 5mm & 10mm Depron/ Polyfoam
 - 2. 3mm Plywood
 - 4. 0.3mm Micro Plastic
 - 5. hot glue + CA glue
 - 6. white packing tape



Build instructions :
 1. paper-replika.com
 2. youtube channel : Julius Perdana



LANDING GEAR

